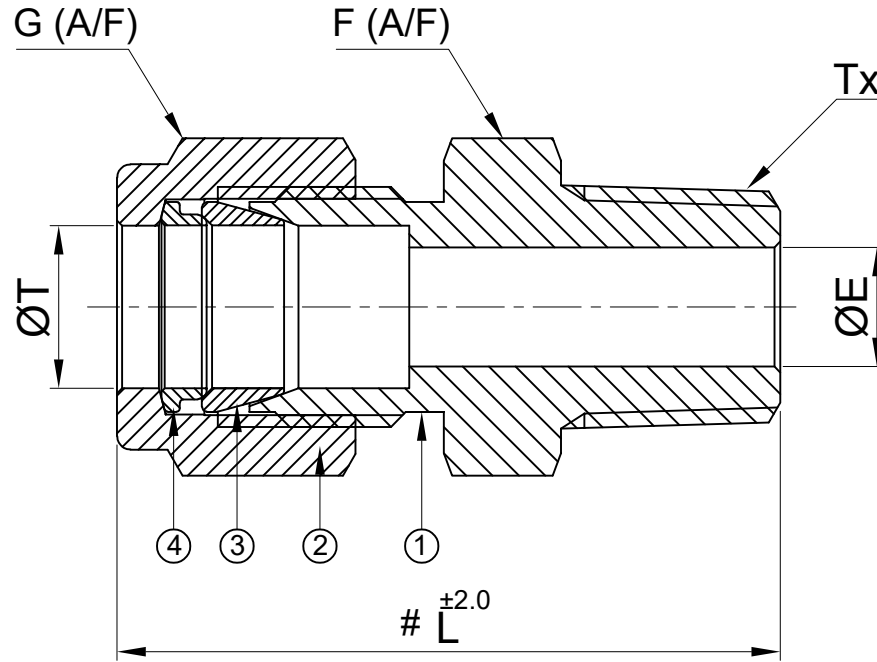



SR NO	DESCRIPTION	QTY	MATERIAL
1	BODY	1	SS 316
2	NUT	1	SS 316
3	FRONT FERRULE	1	SS 316
4	BACK FERRULE	1	SS 316



SR NO	PART NO	ØT	Tx	L	F (A/F)	G (A/F)	ØE
1	2MC2N-S6	1/8"	1/8" NPT-M	31.5	11.0	11.0	2.0
2	4MC2N-S6	1/4"	1/8" NPT-M	33.2	14.0	14.2(9/16")	4.7

PART NAME : MALE CONNECTOR - TUBE OD x Male Threading				CUSTOMER NAME:-			
DWG NO : GA-MC-S6				PROJECT NAME:-			
MATERIAL : AS PER BOM				PO NO:-			
REV NO				DESCRIPTION			
SIGN				DATE			
DRAWN BY				ENQ NO: EN2223/00905			
CHECKED BY				SHEET NO: 01 OF 01			
APPROVED BY				SO NO: -			
 www.havi.in info@havi.in				* All dimensions are in mm. Dimensions for reference only and are subject to change without notice * This document is the property of Havi Engineering India Pvt. Ltd. No exploitation or release of any text contained herein or relating to this document is permitted in any form without the written consent of HAVI.			
				REV NO: 00			
				SCALE: NTS			

NOTE:

- # MARKED DIMENSION IS IN FINGER TIGHT POSITION.
- NPT THREAD AS PER ANSI B 1.20.1.