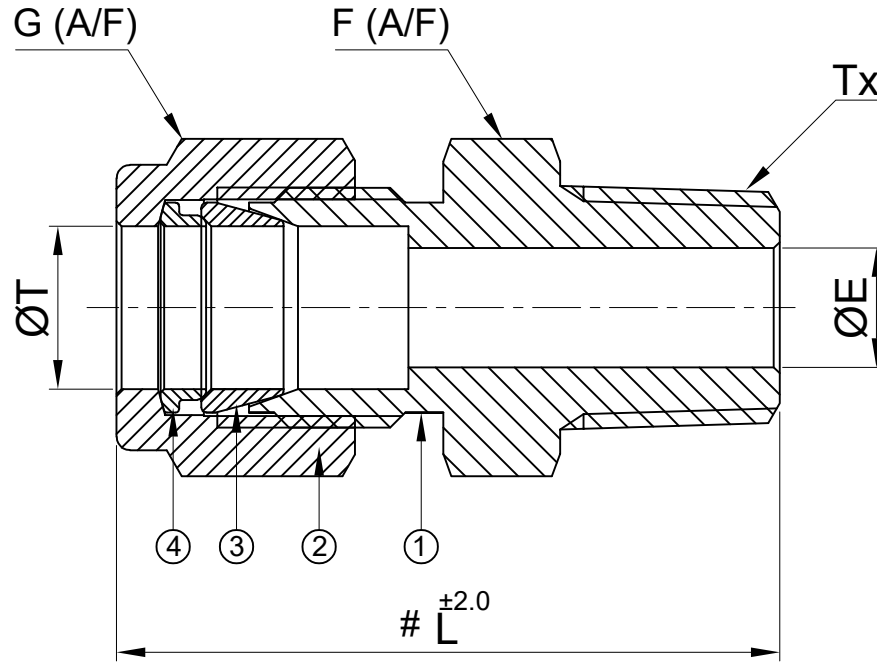


SR NO	DESCRIPTION	QTY	MATERIAL
1	BODY	1	SS 316
2	NUT	1	SS 316
3	FRONT FERRULE	1	SS 316
4	BACK FERRULE	1	SS 316



SR NO	PART NO	ØT	Tx	L	F (A/F)	G (A/F)	ØE
9	8MC4N-S6	1/2"	1/4" NPT-M	44.0	22.0	22.0	7.1
16	6MC4N-S6	3/8"	1/4" NPT-M	39.5	17.5	17.5	7.1

NOTE:  
 • # MARKED DIMENSION IS IN FINGER TIGHT POSITION.  
 • NPT THREAD AS PER ANSI B 1.20.1.

	SIGN	DATE
DRAWN BY	VK	23.08.2022
CHECKED BY	SB	23.08.2022
APPROVED BY	SM	23.08.2022



www.havi.in  
info@havi.in

PART NAME : MALE CONNECTOR - TUBE OD x NPT-M				CUSTOMER NAME:-			
DWG NO : GA-MC-S6				PROJECT NAME:-			
MATERIAL : SS 316				PO NO:-			
				ENQ NO: EN2223/00730			
				SHEET NO: 01 OF 01			
				SO NO: -			
REV NO	DESCRIPTION	SIGN	DATE	* All dimensions are in mm. Dimensions for reference only and are subject to change without notice * This document is the property of Havi Engineering India Pvt. Ltd. No exploitation or release of any text contained herein or relating to this document is permitted in any form without the written consent of HAVI.			
				SCALE: NTS			