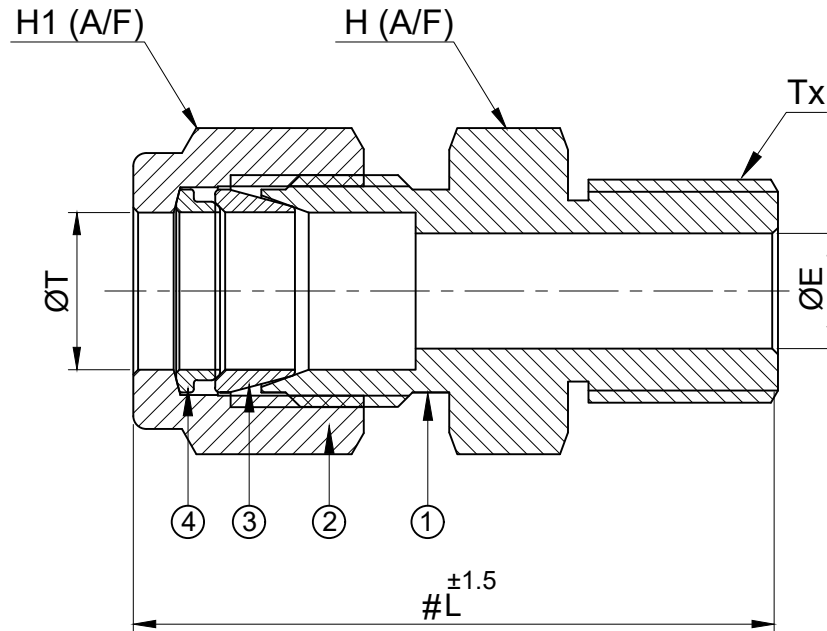



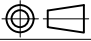
SR NO	DESCRIPTION	QTY	MATERIAL
1	BODY	1	SS 316
2	NUT	1	SS 316
3	FRONT FERRULE	1	SS 316
4	BACK FERRULE	1	SS 316



PART NO	ØT	Tx	L	H (A/F)	H1(A/F)	ØE	Temperature Range
4MCM20X1.5-S6	1/4"	M20x1.5P	44.5	22.0	14.28(9/16")	4.7	-54°C to 400°C
12MMCM20X1.5-S6	12mm	M20x1.5P	47.9	22.0	22.0	9.5	

NOTE:-

- UNLESS & OTHERWISE SPECIFIED ALL DIMENSIONS ARE IN 'mm'
- # MARKED DIMENSION IS IN FINGER TIGHT POSITION.

 <b>Fittings &amp; Valves</b> info@havi.in www.havi.in A-201, PRIME TRADE CENTER SATIVALI ROAD, VASAI (E), PALGHAR - 401208, MAHARASHTRA, INDIA		PART NAME : MALE CONNECTOR - TUBE OD X M20x1.5P-M				CUSTOMER NAME:-				
		DWG NO : - GA-MC-M20-S6				PROJECT NAME:-				
MATERIAL : - AS PER BOM				END USER NAME :-						
				ENQ NO: EN2223/00492				 SHEET NO: 01 OF 01		
				SO NO: -						
DRAWN BY		SB	06.08.2022		* All dimensions are in mm. Dimensions for reference only and are subject to change without notice * This document is the property of Havi Engineering India Pvt. Ltd. No exploitation or release of any text contained herein or relating to this document is permitted in any form without the written consent of HAVI.				REV NO: 00	
CHECKED BY		VK	06.08.2022						SCALE: NTS	
APPROVED BY		SM	06.08.2022							