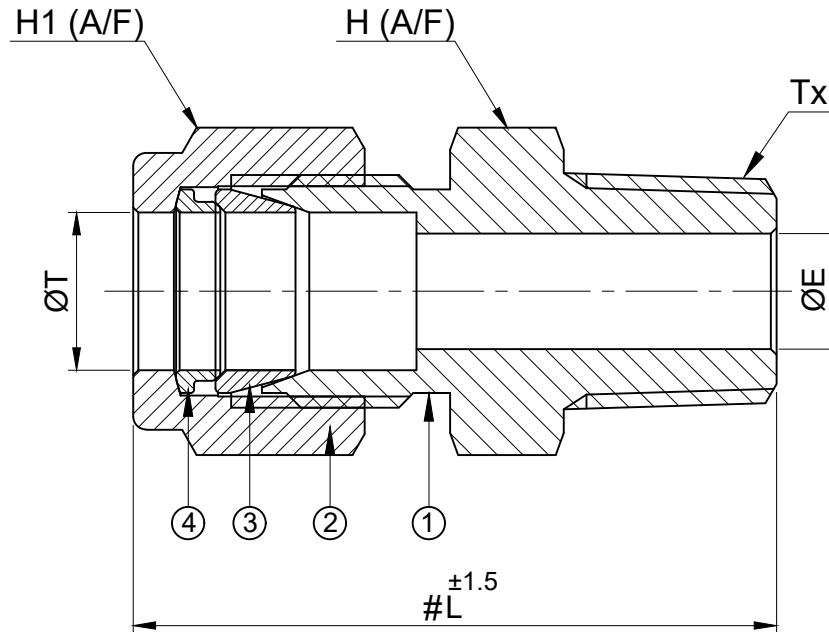


| SR NO | DESCRIPTION | QTY | MATERIAL |
|-------|---------------|-----|----------|
| 1 | BODY | 1 | SS 316 |
| 2 | NUT | 1 | SS 316 |
| 3 | FRONT FERRULE | 1 | SS 316 |
| 4 | BACK FERRULE | 1 | SS 316 |



| PART NO | ØT | Tx | L | H (A/F) | H1(A/F) | ØE |
|------------|------|------------|------|--------------|--------------|------|
| 14MMC8N-S6 | 14mm | 1/2" NPT-M | 50.0 | 25.0 | 25.0 | 11.1 |
| 4MC4N-S6 | 1/4" | 1/4" NPT-M | 38.0 | 14.0 | 14.28(9/16") | 4.7 |
| 10MMC4N-S6 | 10mm | 1/4" NPT-M | 40.0 | 17.5(11/16") | 19.0 | 7.9 |

NOTE:-

- NPT THREAD AS PER ANSI B 1.20.1.
- UNLESS & OTHERWISE SPECIFIED ALL DIMENSIONS ARE IN 'mm'
- # MARKED DIMENSION IS IN FINGER TIGHT POSITION.



PART NAME :
MALE CONNECTOR - TUBE OD x NPT-M

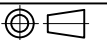
CUSTOMER NAME:-

DWG NO : - GA-MC-S6
MATERIAL : - AS PER BOM

PROJECT NAME:-

END USER NAME :-

ENQ NO: EN2223/00236



SO NO: -

SHEET NO:
01 OF 01

| | SIGN | DATE |
|-------------|------|------------|
| DRAWN BY | SB | 16.08.2022 |
| CHECKED BY | VK | 16.08.2022 |
| APPROVED BY | SM | 16.08.2022 |

| REV NO | DESCRIPTION | SIGN | DATE |
|--------|-------------|------|------|
| | | | |

* All dimensions are in mm. Dimensions for reference only and are subject to change without notice
* This document is the property of Havi Engineering India Pvt. Ltd. No exploitation or release of any text contained herein or relating to this document is permitted in any form without the written consent of HAVI.

REV NO: 00
SCALE: NTS