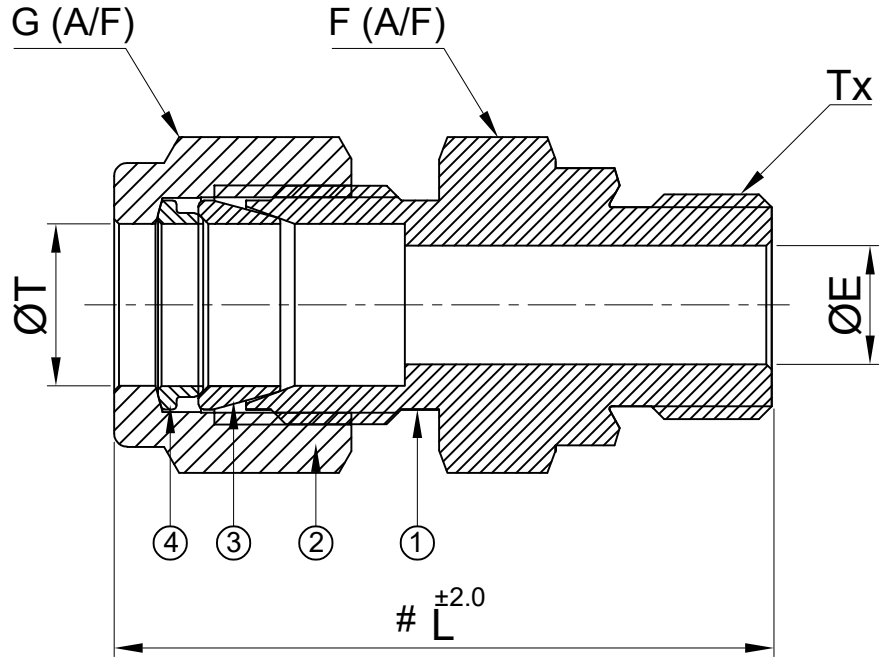


SR NO	DESCRIPTION	QTY	MATERIAL
1	BODY	1	SS 316
2	NUT	1	SS 316
3	FRONT FERRULE	1	SS 316
4	BACK FERRULE	1	SS 316



SR NO	PART NO	ØT	Tx	L	F (A/F)	G (A/F)	ØE
1	8MMC2IP-S6	8mm	1/8" BSPP-M	33.5	14.0	16.0	4.0
2	8MMC4IP-S6	8mm	1/4" BSPP-M	40.0	19.0	16.0	5.8
3	10MMC4IP-S6	10mm	1/4" BSPP-M	40.0	19.0	19.0	5.8
4	10MMC8IP-S6	10mm	1/2" BSPP-M	45.0	27.0	19.0	7.9
5	12MMC6IP-S6	12mm	3/8" BSPP-M	43.0	22.0	22.0	7.8

PATH:- X:\2022-2023\EXPORT\EN222300776

NOTE:
 • # MARKED DIMENSION IS IN FINGER TIGHT POSITION.
 • NPT THREAD AS PER ANSI B 1.20.1.

	SIGN	DATE
DRAWN BY	VK	30.09.2022
CHECKED BY	SB	30.09.2022
APPROVED BY	SM	30.09.2022



PART NAME : MALE CONNECTOR - TUBE OD x BSPP Male Threading; Form B		CUSTOMER NAME:-	
DWG NO : GA-MCIPG-S6		PROJECT NAME:-	
MATERIAL : SS 316		PO NO:-	
REV NO		ENQ NO: EN2223/00776	
DESCRIPTION		SHEET NO: 01 OF 01	
SIGN		SO NO: -	
DATE		REV NO: 00	
		SCALE: NTS	