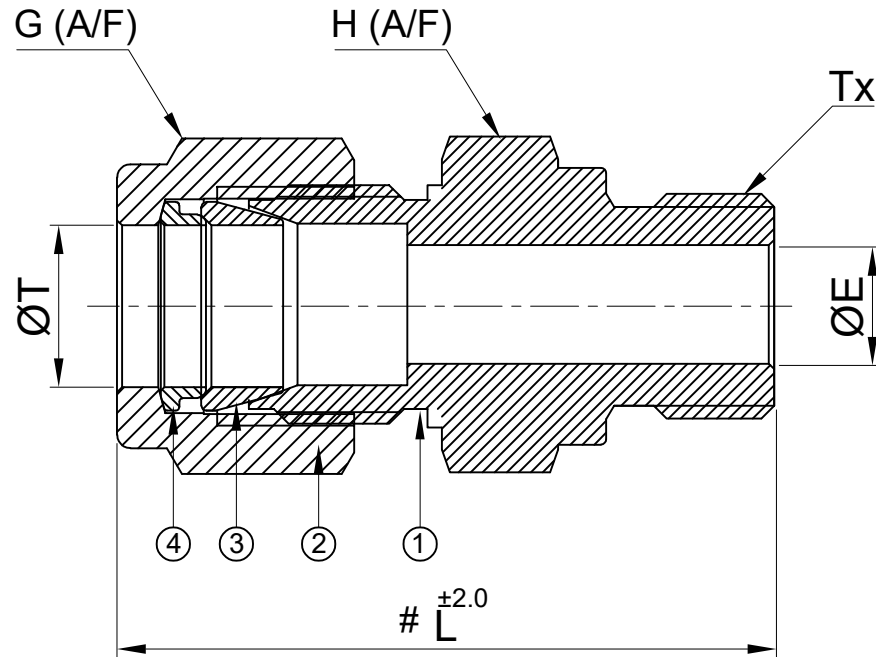



SR NO	DESCRIPTION	QTY	MATERIAL
1	BODY	1	SS 316
2	NUT	1	SS 316
3	FRONT FERRULE	1	SS 316
4	BACK FERRULE	1	SS 316



SR NO	PART NO	T	Tx	L	H (A/F)	G(A/F)	ØE	Pressure Rating (Psig)	Temperature Range
11	8MMC8IPS-S6	8mm	1/2" BSPP-M	44.7	27.0	16.0	6.4	6000	-192°C to 649°C

PART NAME : MALE CONNECTOR - TUBE OD x BSPP Male Threading; Form A				CUSTOMER NAME:-			
DWG NO : GA-MCIPS-S6				PROJECT NAME:-			
MATERIAL : SS 316				PO NO:-			
DRAWN BY : VK				ENQ NO: EN2223/01100			
CHECKED BY : SB				SHEET NO: 01 OF 01			
APPROVED BY : SD				SO NO: -			
REV NO	DESCRIPTION	SIGN	DATE	* All dimensions are in mm. Dimensions for reference only and are subject to change without notice			
				* This document is the property of Havi Engineering India Pvt. Ltd. No exploitation or release of any text contained herein or relating to this document is permitted in any form without the written consent of HAVI.			
				REV NO: 00			
				SCALE: NTS			

	SIGN	DATE
DRAWN BY	VK	22.01.2023
CHECKED BY	SB	22.01.2023
APPROVED BY	SD	22.01.2023


**havi**  
 Fittings & Valves

[www.havi.in](http://www.havi.in)  
[info@havi.in](mailto:info@havi.in)

NOTE:  
 • # MARKED DIMENSION IS IN FINGER TIGHT POSITION.

PATH:-T:\2022-2023\EXPORT\EN222301100\GAD