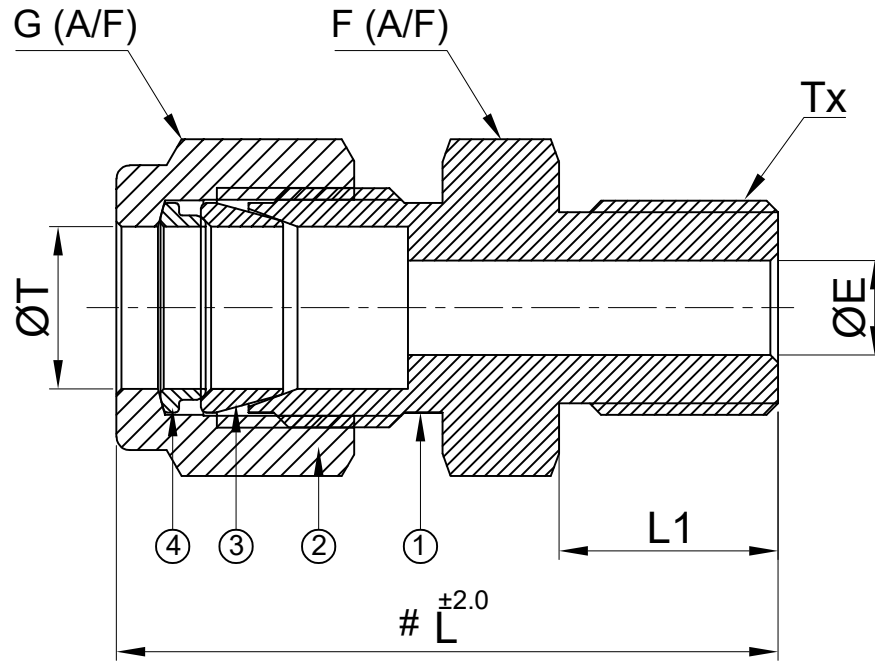


SR NO	DESCRIPTION	QTY	MATERIAL
1	BODY	1	SS 316
2	NUT	1	SS 316
3	FRONT FERRULE	1	SS 316
4	BACK FERRULE	1	SS 316



SR NO	PART NO	ØT	Tx	L	L1	F (A/F)	G (A/F)	ØE
1	12MMCM20-S6	12mm	M20 X 1.5P-M	48.0	19.0	22.0	22.0	9.5

PART NAME : MALE CONNECTOR - TUBE OD x Male Metric Threading				CUSTOMER NAME:-			
DWG NO : GA-MCM-S6				PROJECT NAME:-			
MATERIAL : SS 316				PO NO:-			
DRAWN BY : VK				ENQ NO: EN2223/00744		SHEET NO: 01 OF 01	
CHECKED BY : SB				SO NO: -			
APPROVED BY : SM				REV NO		DESCRIPTION	
SIGN				SIGN		DATE	
DATE				* All dimensions are in mm. Dimensions for reference only and are subject to change without notice			
www.havi.in				* This document is the property of Havi Engineering India Pvt. Ltd. No exploitation or release of any text contained herein or relating to this document is permitted in any form without the written consent of HAVI.			
info@havi.in				REV NO: 00		SCALE: NTS	

NOTE:

- # MARKED DIMENSION IS IN FINGER TIGHT POSITION.
- NPT THREAD AS PER ANSI B 1.20.1.



www.havi.in
info@havi.in