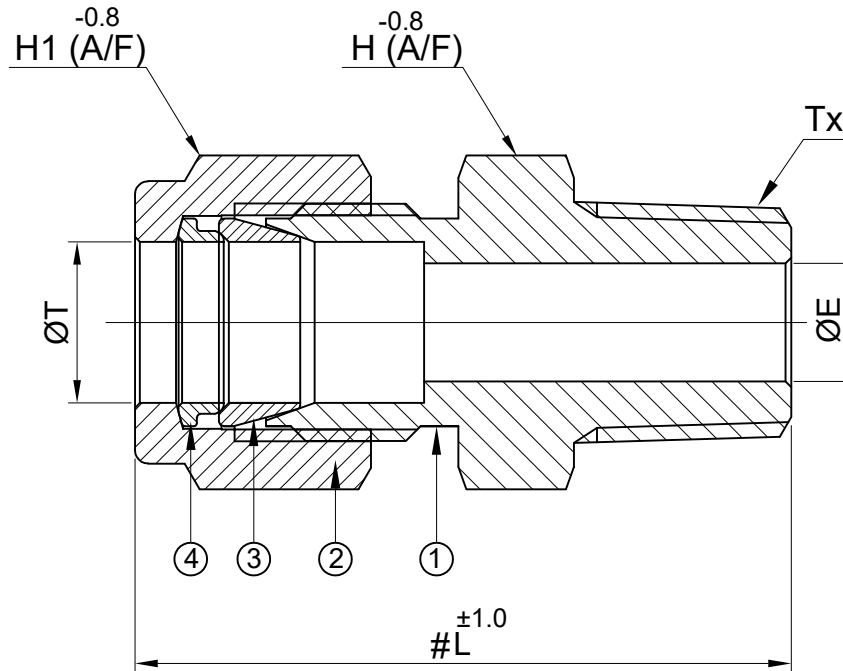



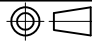
SR NO	DESCRIPTION	QTY	MATERIAL
1	BODY	1	SS 316
2	NUT	1	SS 316
3	FRONT FERRULE	1	SS 316
4	BACK FERRULE	1	SS 316



PART NO	ØT	Tx	L	H (A/F)	H1(A/F)	ØE
14MMC4N-S6	14mm	1/4" NPT-M	45.0	25.0	25.0	7.1
14MMC8N-S6	14mm	1/2" NPT-M	50.0	25.0	25.0	11.1

NOTE:-

- NPT THREAD AS PER ANSI B 1.20.1.
- UNLESS & OTHERWISE SPECIFIED ALL DIMENSIONS ARE IN 'mm'
- # MARKED DIMENSION IS IN FINGER TIGHT POSITION.

 Fittings & Valves info@havi.in www.havi.in A-201, PRIME TRADE CENTER SATIVALI ROAD, VASAI (E), PALGHAR - 401208, MAHARASHTRA, INDIA	PART NAME : MALE CONNECTOR - TUBE OD x NPT-M		CUSTOMER NAME:-																						
	DWG NO : - GA-MC-S6		PROJECT NAME:-																						
	MATERIAL : - AS PER BOM		END USER NAME :-																						
			ENQ NO: EN2223/00128																						
		SO NO: -		 SHEET NO: 01 OF 01																					
					REV NO: 00																				
				SCALE: NTS																					
<table border="1"> <thead> <tr> <th></th> <th>SIGN</th> <th>DATE</th> </tr> </thead> <tbody> <tr> <td>DRAWN BY</td> <td>VK</td> <td>04.05.2022</td> </tr> <tr> <td>CHECKED BY</td> <td>RW</td> <td>04.05.2022</td> </tr> <tr> <td>APPROVED BY</td> <td>SM</td> <td>04.05.2022</td> </tr> </tbody> </table>			SIGN	DATE	DRAWN BY	VK	04.05.2022	CHECKED BY	RW	04.05.2022	APPROVED BY	SM	04.05.2022	<table border="1"> <thead> <tr> <th>REV NO</th> <th>DESCRIPTION</th> <th>SIGN</th> <th>DATE</th> </tr> </thead> <tbody> <tr> <td></td> <td></td> <td></td> <td></td> </tr> </tbody> </table>		REV NO	DESCRIPTION	SIGN	DATE					* All dimensions are in mm. Dimensions for reference only and are subject to change without notice * This document is the property of Havi Engineering India Pvt. Ltd. No exploitation or release of any text contained herein or relating to this document is permitted in any form without the written consent of HAVI.	
	SIGN	DATE																							
DRAWN BY	VK	04.05.2022																							
CHECKED BY	RW	04.05.2022																							
APPROVED BY	SM	04.05.2022																							
REV NO	DESCRIPTION	SIGN	DATE																						

PATH: X:\2022-2023\EXPORT\EN222300128\GAD