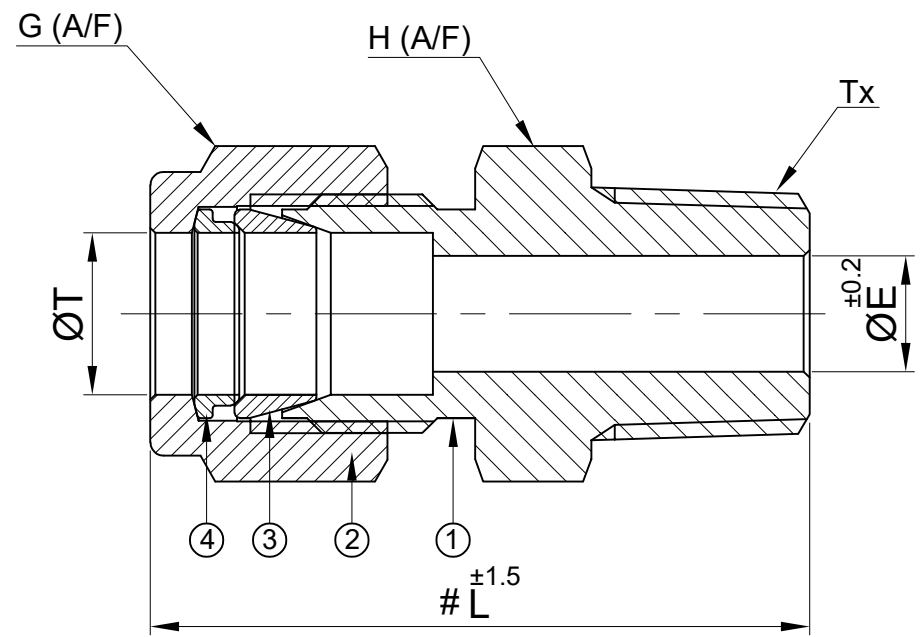


SR NO	DESCRIPTION	QTY	MATERIAL
1	BODY	1	SS316
2	NUT	1	SS316
3	FRONT FERRULE	1	SS316
4	BACK FERRULE	1	SS316



PART NO	ØT	Tx	L	H (A/F)	G (A/F)	ØE
6MMC4N-S6	6mm	1/4" NPT-M	38.5	14.0	14.0	4.2
6MMC8N-S6	6mm	1/2" NPT-M	44.5	22.0	14.0	4.2
6MMC10N-S6	6mm	5/8" NPT-M	46.5	27.0	14.0	4.2
10MMC4N-S6	10mm	1/4" NPT-M	46.0	17.5	19.0	7.9
10MMC8N-S6	10mm	1/2" NPT-M	46.0	22.0	19.0	7.9
12MMC8N-S6	12mm	1/2" NPT-M	48.0	22.0	22.0	7.9

PATH: \\192.168.0.10\ENQUIRIES\2022-2023\EXPORT\EN222300089\GAD

NOTE:
 • # MARKED DIMENSION IS IN FINGER TIGHT POSITION.
 • NPT THREAD AS PER ANSI B 1.20.1.

PART NAME : MALE CONNECTOR ODT x NPT-F				CUSTOMER NAME:-			
DWG NO : GA-MC-S6				PROJECT NAME:-			
MATERIAL : AS PER BOM				PO NO: -			
ENQ NO: EN2223/00089				SHEET NO: 01 OF 01			
SO NO: -				REV NO: 00			
SCALE: NTS							

DRAWN BY	SIGN	DATE
RW		04.05.2022
VK		04.05.2022
SM		04.05.2022

REV NO	DESCRIPTION	SIGN	DATE

www.havi.in
info@havi.in

* All dimensions are in mm. Dimensions for reference only and are subject to change without notice
 * This document is the property of Havi Engineering India Pvt. Ltd. No exploitation or release of any text contained herein or relating to this document is permitted in any form without the written consent of HAVI.