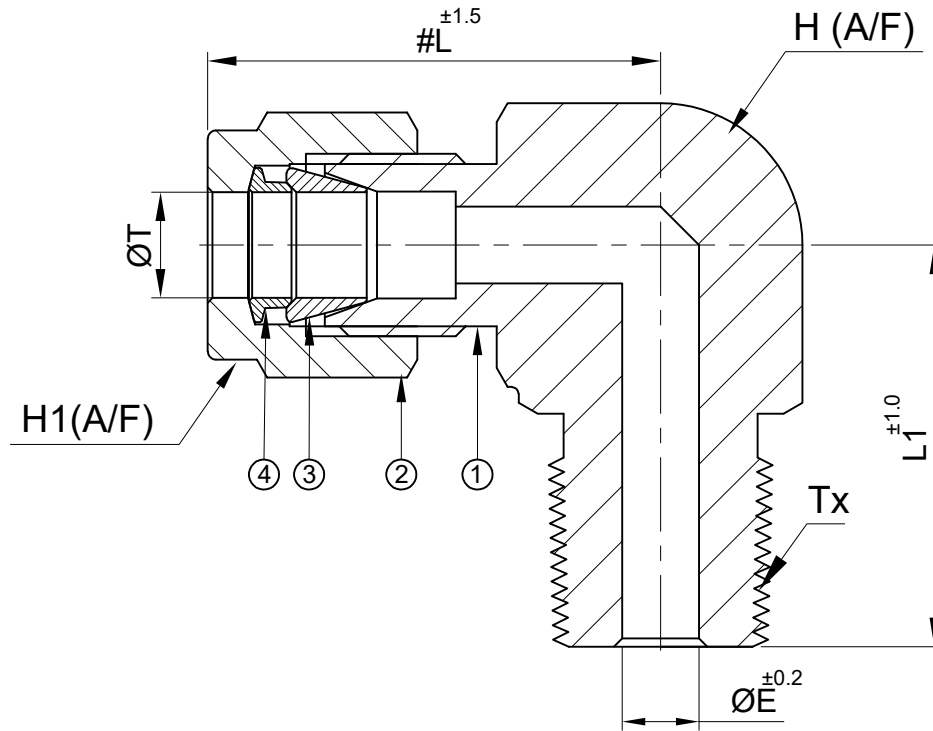


SR NO	DESCRIPTION	QTY	MATERIAL
1	BODY	1	SS316
2	NUT	2	SS316
3	FRONT FERRULE	2	SS316
4	BACK FERRULE	2	SS316



PART NO	ØT	Tx	L	Ly	H (A/F)	G (A/F)	ØE
6MME4N-S6	6mm	1/4" NPT-M	28.0	24.5	15.0	14.0	4.2
6MME8N-S6	6mm	1/2" NPT-M	32.5	34.0	22.0	19.0	4.2
10MME4N-S6	10mm	1/4" NPT-M	32.5	27.0	17.5	14.0	7.1
10MME8N-S6	10mm	1/2" NPT-M	33.0	33.0	22.0	19.0	7.9
6MME4IP-S6	6mm	1/4" BSPP-M	28.0	24.5	15.0	14.0	4.2
10MME4IP-S6	10mm	1/4" BSPP-M	32.5	27.0	17.5	14.0	7.1

NOTE:

- # MARKED DIMENSION IS IN FINGER TIGHT POSITION.
- NPT THREAD AS PER ANSI B 1.20.1.

	SIGN	DATE
DRAWN BY	RW	04.05.2022
CHECKED BY	VK	04.05.2022
APPROVED BY	SM	04.05.2022



www.havi.in
info@havi.in

PART NAME : MALE ELBOW ODT x NPT-M				CUSTOMER NAME:-									
DWG NO : GA-ME-S6				PROJECT NAME:-									
MATERIAL : AS PER BOM				PO NO: -									
				ENQ NO: EN2223/00089									
REV NO				DESCRIPTION		SIGN		DATE		SO NO: -		SHEET NO: 01 OF 01	
* All dimensions are in mm. Dimensions for reference only and are subject to change without notice												REV NO: 00	
* This document is the property of Havi Engineering India Pvt. Ltd. No exploitation or release of any text contained herein or relating to this document is permitted in any form without the written consent of HAVI.												SCALE: NTS	