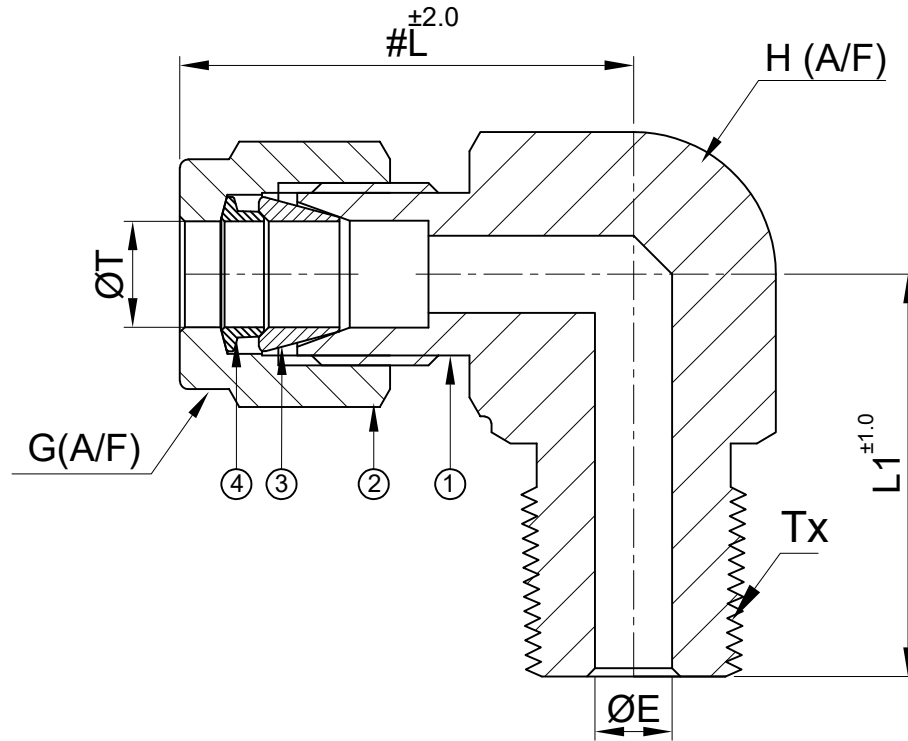


| SR NO | DESCRIPTION   | QTY | MATERIAL |
|-------|---------------|-----|----------|
| 1     | BODY          | 1   | SS 316   |
| 2     | NUT           | 1   | SS 316   |
| 3     | FRONT FERRULE | 1   | SS 316   |
| 4     | BACK FERRULE  | 1   | SS 316   |



| SR NO | PART NO    | T    | Tx         | L    | L1   | H (A/F) | G (A/F) | ØE  | Pressure Rating(Psig) |
|-------|------------|------|------------|------|------|---------|---------|-----|-----------------------|
| 1     | 8MME4N-S6  | 8mm  | 1/4" NPT-M | 30.0 | 25.7 | 15.0    | 16.0    | 6.4 | 6000                  |
| 2     | 12MME8N-S6 | 12mm | 1/2" NPT-M | 36.5 | 33.0 | 22.0    | 22.0    | 9.5 | 6000                  |

|  |             |      |      |  |  |  |  |
|--|-------------|------|------|--|--|--|--|
| PART NAME : MALE ELBOW - TUBE OD x NPT-M |             |      |      | CUSTOMER NAME:-  |  |  |  |
| DWG NO : GA-ME-S6                        |             |      |      | PROJECT NAME:-   |  |  |  |
| MATERIAL : SS 316                        |             |      |      | PO NO.:-   |  |  |  |
| DRAWN BY : VK                            |             |      |      | ENQ NO: EN2223/00614   |  |  |  |
| CHECKED BY : SB                          |             |      |      | SHEET NO: 01 OF 01   |  |  |  |
| APPROVED BY : SM                         |             |      |      | SO NO.:-   |  |  |  |
| REV NO                                   | DESCRIPTION | SIGN | DATE | * All dimensions are in mm. Dimensions for reference only and are subject to change without notice<br>* This document is the property of Havi Engineering India Pvt. Ltd. No exploitation or release of any text contained herein or relating to this document is permitted in any form without the written consent of HAVI. |  |  |  |
|  |             |      |      |  |  |  |  |
|  |             |      |      | REV NO: 00   |  |  |  |
|  |             |      |      | SCALE: NTS   |  |  |  |

NOTE:  
 • # MARKED DIMENSION IS IN FINGER TIGHT POSITION.  
 • NPT THREAD AS PER ANSI B 1.20.1.

J  
I  
H  
G  
F  
E  
D  
C  
B  
A

PATH: -T:\2022-2023\EXPORT\EN222300614\GAD