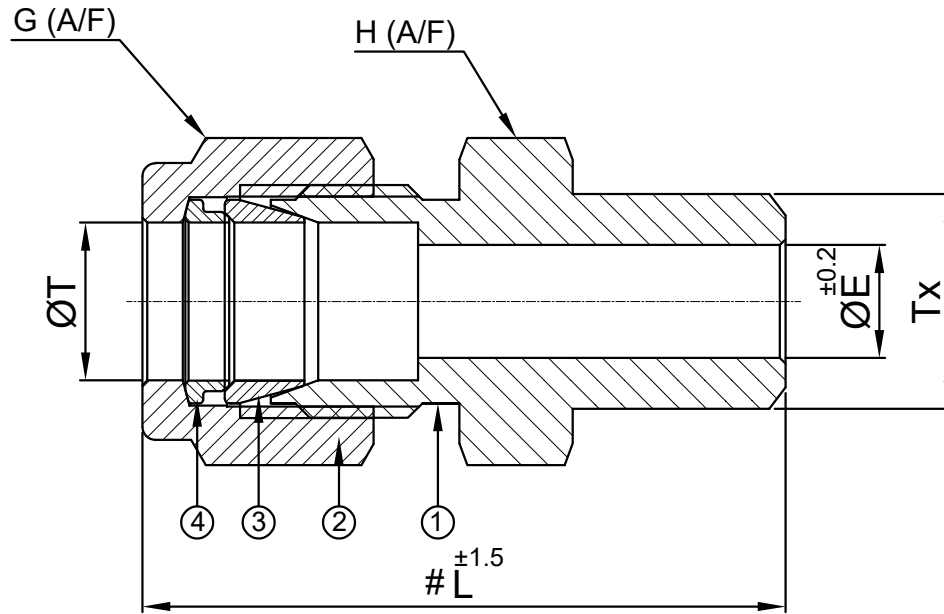


SR NO	DESCRIPTION	QTY	MATERIAL
1	BODY	1	SS316
2	NUT	1	SS316
3	FRONT FERRULE	1	SS316
4	BACK FERRULE	1	SS316



PART NO	ØT	Tx	L	H (A/F)	G (A/F)	ØE
6MMWC4-S6	6mm	1/4" BW	38.5	14.0	14.0	4.2
6MMWC8-S6	6mm	1/2" BW	45.5	22.0	14.0	4.2
10MMWC4-S6	10mm	1/4" BW	40.0	17.5	19.0	7.9
10MMWC8-S6	10mm	1/2" BW	47.0	22.0	19.0	7.9



**NOTE:**

- # MARKED DIMENSION IS IN FINGER TIGHT POSITION.
- NPT THREAD AS PER ANSI B 1.20.1.

PART NAME : WELD MALE CONNECTOR ODT x BW				CUSTOMER NAME:-			
DWG NO : GA-MWC-S6				PROJECT NAME:-			
MATERIAL : AS PER BOM				PO NO: -			
DRAWN BY: RW				ENQ NO: EN2223/00089		SHEET NO: 01 OF 01	
CHECKED BY: VK				SO NO: - SO2223/00145		REV NO: 00	
APPROVED BY: SM				SIGN: [Signature]		SCALE: NTS	
				<p>* All dimensions are in mm. Dimensions for reference only and are subject to change without notice</p> <p>* This document is the property of Havi Engineering India Pvt. Ltd. No exploitation or release of any text contained herein or relating to this document is permitted in any form without the written consent of HAVI.</p>			

PATH: \\192.168.0.10\WORK ORDER\FY 2022-23\SO-0145