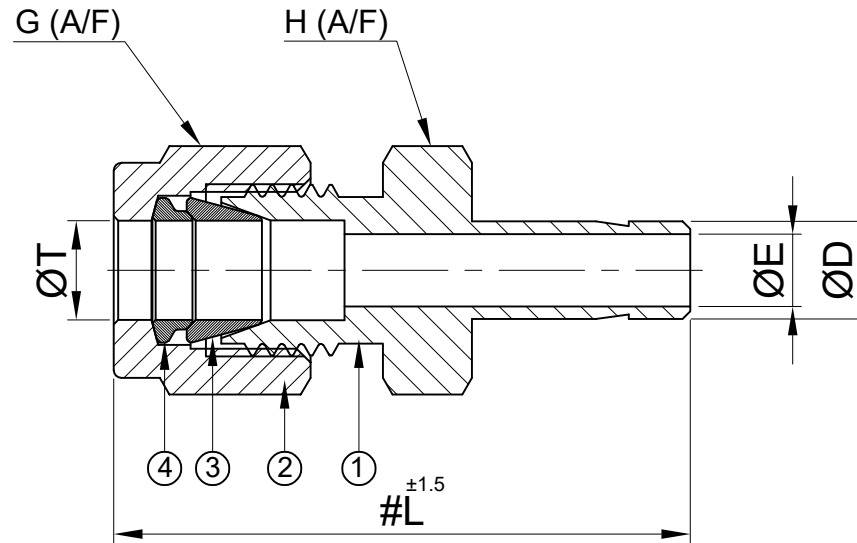


SR NO	DESCRIPTION	QTY	MATERIAL
1	BODY	1	SS316
2	NUT	2	SS316
3	FRONT FERRULE	2	SS316
4	BACK FERRULE	2	SS316



PART NO	ØT	ØD	L	H (A/F)	G (A/F)	ØE
6MR6M-S6	6mm	6mm	41.0	14.0	14.0	4.2
10MR10M-S6	10mm	10mm	46.0	19.0	14.0	7.9

NOTE:  
 • # MARKED DIMENSION IS IN FINGER TIGHT POSITION.

	SIGN	DATE
DRAWN BY	RW	04.05.2022
CHECKED BY	VK	04.05.2022
APPROVED BY	SM	04.05.2022

**havi**  
 Fittings & Valves  
 www.havi.in  
 info@havi.in

PART NAME : REDUCER ODT x STUB				CUSTOMER NAME:-							
DWG NO : GA-R-S6				PROJECT NAME:-							
MATERIAL : AS PER BOM				PO NO: -							
REV NO				DESCRIPTION		SIGN		DATE		SO NO: -	
* All dimensions are in mm. Dimensions for reference only and are subject to change without notice										SHEET NO: 01 OF 01	
* This document is the property of Havi Engineering India Pvt. Ltd. No exploitation or release of any text contained herein or relating to this document is permitted in any form without the written consent of HAVI.										REV NO: 00	
										SCALE: NTS	

PATH:- \\192.168.0.10\ENQUIRIES\2022-2023\EXPORT\EN222300089\GAD