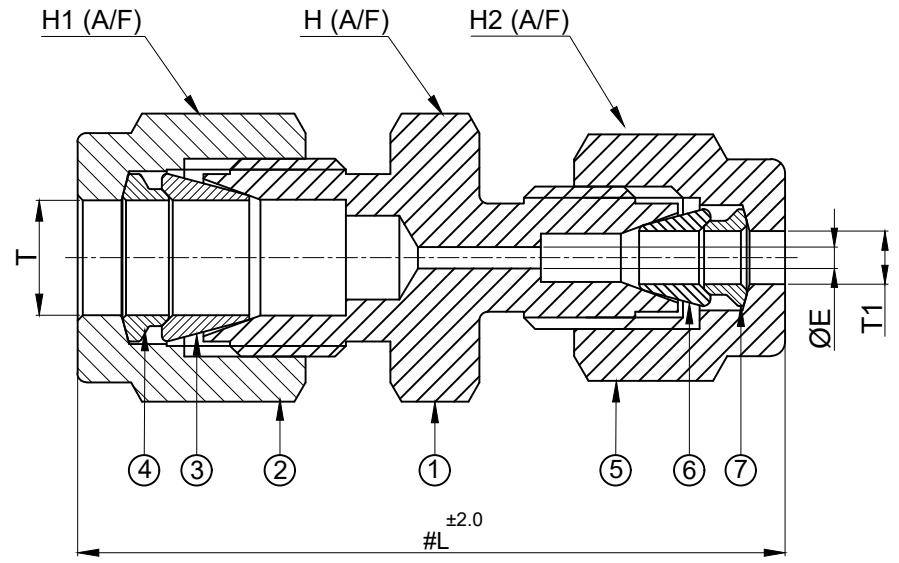


SR NO	DESCRIPTION	QTY	MATERIAL
1	BODY	1	SS 316
2	NUT	1	SS 316
3	FRONT FERRULE	1	SS 316
4	BACK FERRULE	1	SS 316
5	NUT	1	SS 316
6	FRONT FERRULE	1	SS 316
7	BACK FERRULE	1	SS 316



SR NO	PART NO	T (mm)	T1(mm)	L	H1 (A/F)	H (A/F)	H2 (A/F)	ØE
1	8MRU6M-S6	8	6	43.0	16.0	16.0	14.0	4.2
2	10MRU8M-S6	10	8	46.8	19.0	19.0	16.0	6.4
3	12MRU10M-S6	12	10	48.8	22.0	22.0	19.0	7.9
4	15MRU12M-S6	15	12	52.8	27.0	25.0	22.0	9.5
5	12MRU6M-S6	12	6	48.0	22.0	22.0	14.0	4.2
6	12MRU8M-S6	12	8	49.0	22.0	22.0	16.0	6.4



PART NAME :REDUCING UNION ODT X ODT		CUSTOMER NAME:-	
DWG NO : - GA-RU-S6		PROJECT NAME:-	
MATERIAL : - SS316		END USER:-	
		ENQ NO:EN2223/00080	
REV NO		SO NO: -	
DESCRIPTION		SHEET NO: 01 OF 01	
SIGN	DATE	SIGN	DATE
DRAWN BY SB	22.04.2022		
CHECKED BY VK	22.04.2022		
APPROVED BY SM	22.04.2022		

* All dimensions are in mm. Dimensions for reference only and are subject to change without notice
 * This document is the property of Havi Engineering India Pvt. Ltd. No exploitation or release of any text contained herein or relating to this document is permitted in any form without the written consent of HAVI.

NOTE:
 • # MARKED DIMENSION IS IN FINGER TIGHT POSITION.
 • UNLESS SPECIFIED ALL DIMENSIONS ARE IN 'mm'

PA TH: -Z:\2022-2023\EXPORT\EN222300080\GAD

16 15 14 13 12 11 10 9 8 7 6 5 4 3 2 1