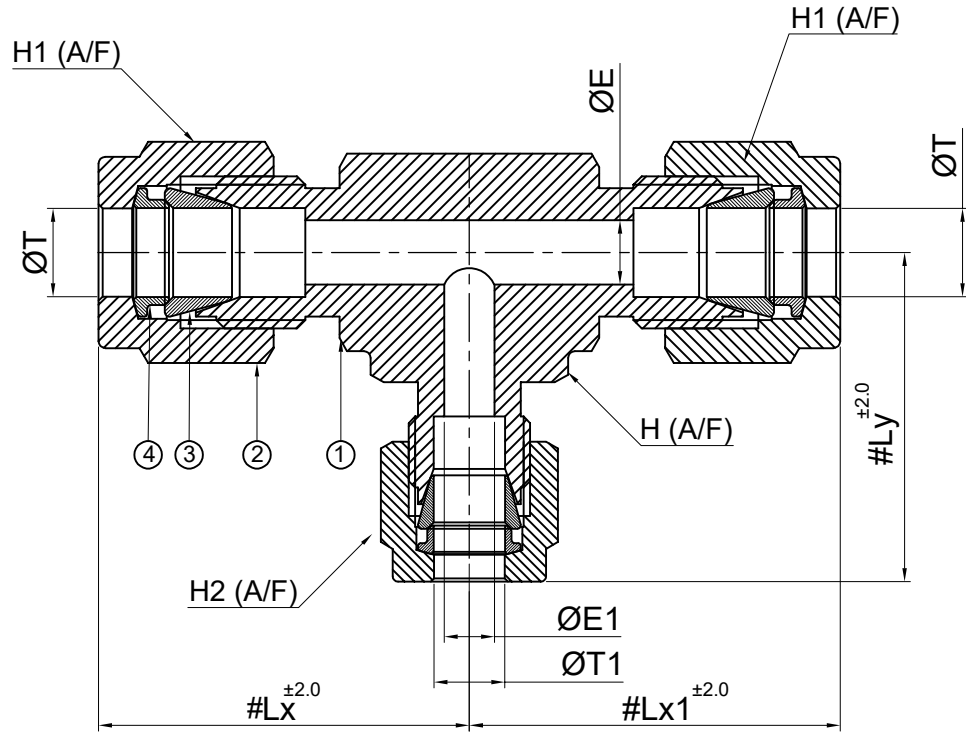



SR NO	DESCRIPTION	QTY	MATERIAL
1	BODY	1	SS 316
2	NUT	3	SS 316
3	FRONT FERRULE	3	SS 316
4	BACK FERRULE	3	SS 316



SR NO	PART NO	ØT	ØT1	Lx	Lx1	Ly	H (A/F)	H1 (A/F)	H2 (A/F)	ØE	ØE1	Pressure Rating (Psig)	Temperature Range
3	18MRUBT12M-S6	18mm	12mm	40.0	40.0	40.5	27.0	32.0	22.0	15.1	9.5	3000 Psig	-192°C to 649°C

PART NAME :- REDUCING UNION BRANCH TEE ODT X ODT X ODT				CUSTOMER NAME :-			
DWG NO : GA-RUBT-S6				PROJECT NAME :-			
MATERIAL : SS 316				PO NO :-			
DRAWN BY : VK				ENQ NO: EN2223/01100			
CHECKED BY : SB				SHEET NO: 01 OF 01			
APPROVED BY : SD				SO NO: -			
REV NO	DESCRIPTION	SIGN	DATE	SO NO: -			
				* All dimensions are in mm. Dimensions for reference only and are subject to change without notice * This document is the property of Havi Engineering India Pvt. Ltd. No exploitation or release of any text contained herein or relating to this document is permitted in any form without the written consent of HAVI.			
www.havi.in info@havi.in				REV NO: 00			
				SCALE: NTS			

NOTE:
 • # MARKED DIMENSION IS IN FINGER TIGHT POSITION.
 • NPT THREAD AS PER ANSI B 1.20.1.

PATH: T:\2022-2023\EXPORT\EN222301100\GAD