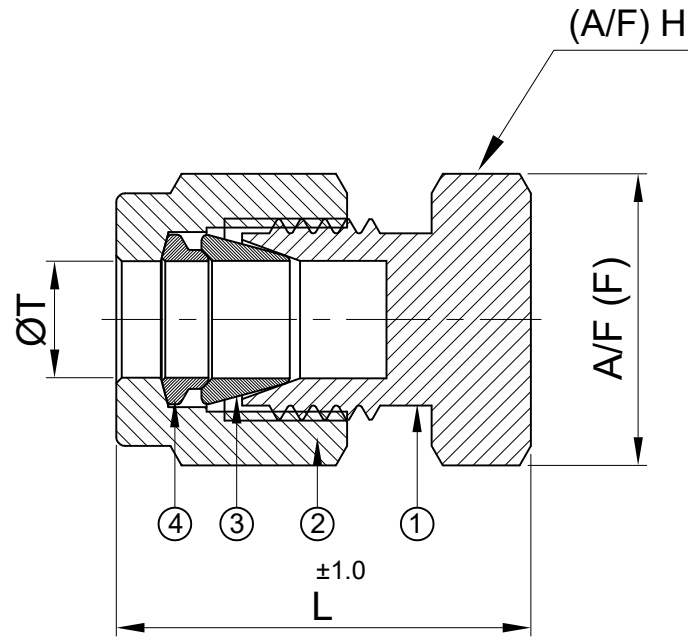

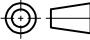


SR NO	DESCRIPTION	QTY	MATERIAL
1	BODY	1	SS316
2	NUT	1	SS316
3	FRONT FERRULE	1	SS316
4	BACK FERRULE	1	SS316



PART NO	ØT	L	H (A/F)
6MTC-S6	6mm	24.0	14.0
10MTC-S6	10mm	27.0	17.5

PART NAME : TUBE PLUG				CUSTOMER NAME:-									
DWG NO : GA-TC-S6				PROJECT NAME:-									
MATERIAL : SS316				PO NO: -									
DRAWN BY		SIGN	DATE	ENQ NO: EN2223/00089									
CHECKED BY				SHEET NO: 01 OF 01									
APPROVED BY				SO NO: -									
 www.havi.in info@havi.in		<table border="1"> <thead> <tr> <th>REV NO</th> <th>DESCRIPTION</th> <th>SIGN</th> <th>DATE</th> </tr> </thead> <tbody> <tr> <td> </td> <td> </td> <td> </td> <td> </td> </tr> </tbody> </table>		REV NO	DESCRIPTION	SIGN	DATE					 REV NO: 00 SCALE: NTS	
REV NO	DESCRIPTION	SIGN	DATE										
<p>* All dimensions are in mm. Dimensions for reference only and are subject to change without notice * This document is the property of Havi Engineering India Pvt. Ltd. No exploitation or release of any text contained herein or relating to this document is permitted in any form without the written consent of HAVI.</p>													

PATH:-\192.168.0.10\ENQUIRIES\2022-2023\EXPORT\EN2223\00089\GAD