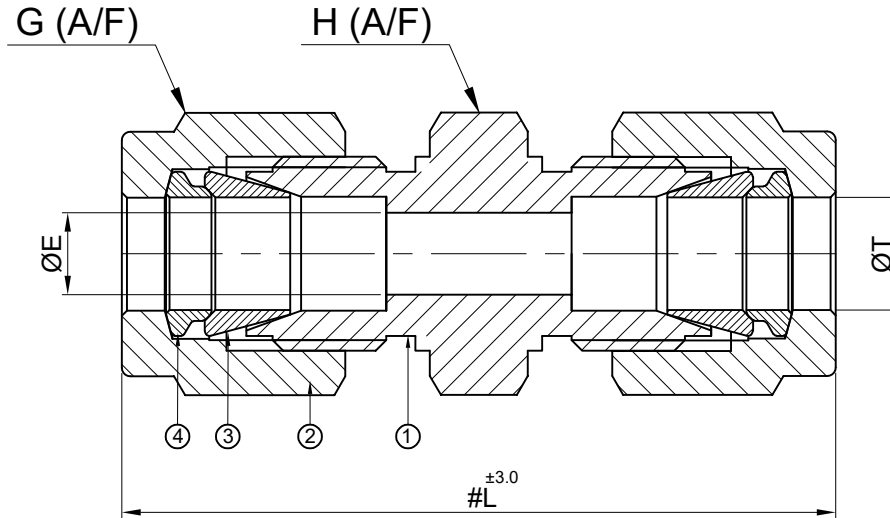


SR NO	DESCRIPTION	QTY	MATERIAL
1	BODY	1	SS 316
2	NUT	2	SS 316
3	FRONT FERRULE	2	SS 316
4	BACK FERRULE	2	SS 316



SR NO	PART NO	T	L	H (A/F)	G(A/F)	ØE	Pressure Rating (Psig)
7	10MU-S6	10mm	47.0	19.0	19.0	7.9	6000
3	14MU-S6	14mm	54.0	25.0	25.0	11.7	3000

PART NAME : UNION - TUBE OD x TUBE OD				CUSTOMER NAME:-			
DWG NO : GA-U-S6				PROJECT NAME:-			
MATERIAL : AS PER BOM				PO NO:-			
DRAWN BY : VK				ENQ NO: EN2223/01163			
CHECKED BY : SB				SHEET NO: 01 OF 01			
APPROVED BY : SD				SO NO: -			
REV NO	DESCRIPTION	SIGN	DATE	SO NO: -			
www.havi.in info@havi.in				* All dimensions are in mm. Dimensions for reference only and are subject to change without notice			
havi Fillings & Valves				* This document is the property of Havi Engineering India Pvt. Ltd. No exploitation or release of any text contained herein or relating to this document is permitted in any form without the written consent of HAVI.			
				REV NO: 00			
				SCALE: NTS			

NOTE:
 • # MARKED DIMENSION IS IN FINGER TIGHT POSITION.

PATH: T:\2022-2023\EXPORT\EN222301163\GAD