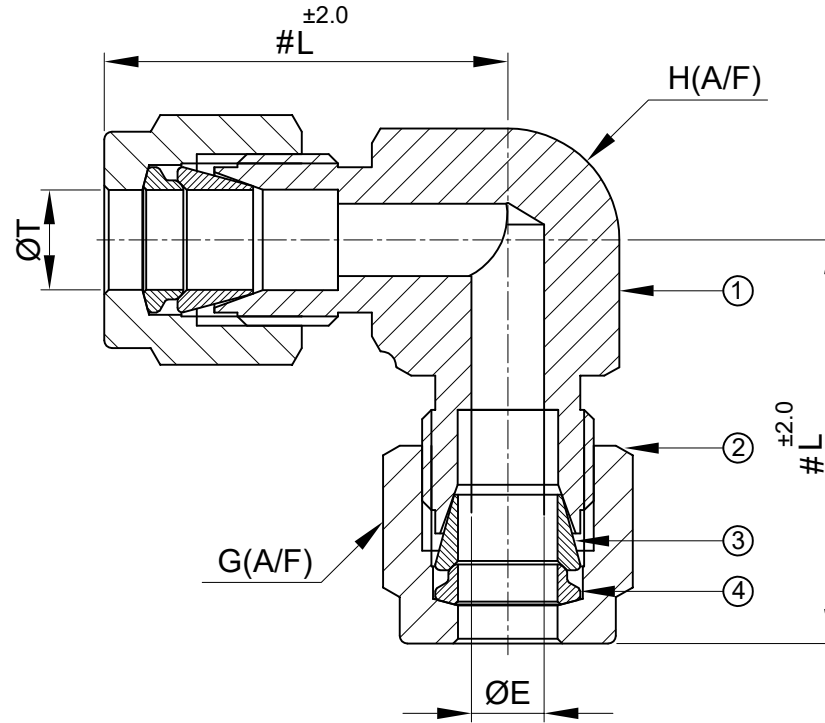


SR NO	DESCRIPTION	QTY	MATERIAL
1	BODY	1	SS 316
2	NUT	2	SS 316
3	FRONT FERRULE	2	SS 316
4	BACK FERRULE	2	SS 316



SR NO	PART NO	ØT	L	H (A/F)	G (A/F)	ØE
1	2UE-S6	1/8"	25.5	12.5	11.0	2.0
2	4UE-S6	1/4"	27.2	12.5	14.2(9/16")	4.7

PART NAME :- UNION ELBOW - TUBE OD x TUBE OD				CUSTOMER NAME:-			
DWG NO : GA-UE-S6				PROJECT NAME:-			
MATERIAL : SS 316				PO NO:-			
DRAWN BY : VK				ENQ NO: EN2223/00905			
CHECKED BY : SB				SHEET NO: 01 OF 01			
APPROVED BY : SD				SO NO: -			
REV NO	DESCRIPTION	SIGN	DATE	<p>* All dimensions are in mm. Dimensions for reference only and are subject to change without notice</p> <p>* This document is the property of Havi Engineering India Pvt. Ltd. No exploitation or release of any text contained herein or relating to this document is permitted in any form without the written consent of HAVI.</p>			
				REV NO: 00			
				SCALE: NTS			

NOTE:
 • # MARKED DIMENSION IS IN FINGER TIGHT POSITION.
 • NPT THREAD AS PER ANSI B 1.20.1.

PATH: T:\2022-2023\EXPORT\EN\2223\00905