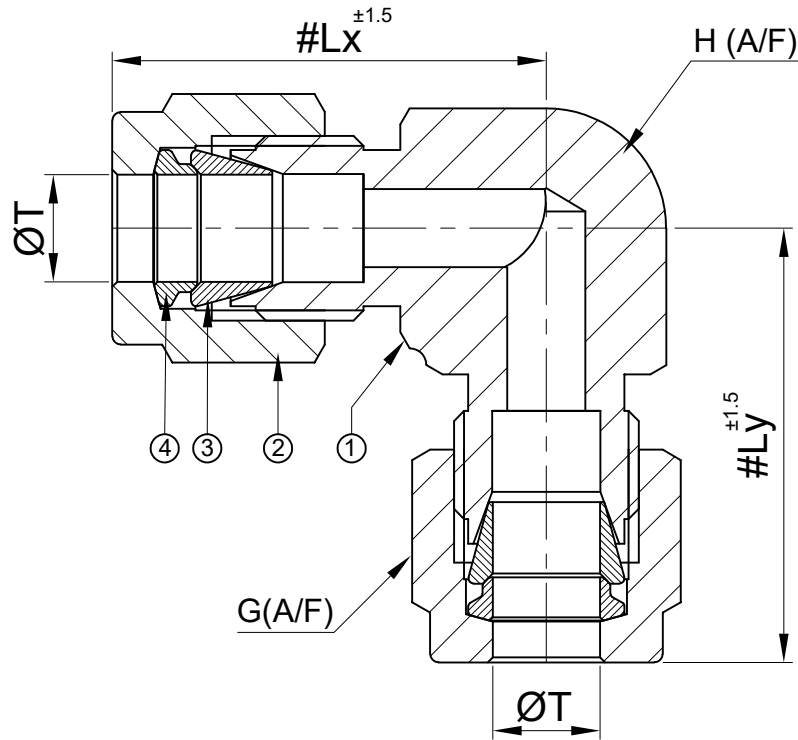


SR NO	DESCRIPTION	QTY	MATERIAL
1	BODY	1	SS316
2	NUT	2	SS316
3	FRONT FERRULE	2	SS316
4	BACK FERRULE	2	SS316



PART NO	ØT	Lx	Ly	H (A/F)	G (A/F)	ØE
6MUE-S6	6mm	26.5	26.5	12.5	14.0	4.2
10MUE-S6	10mm	33.0	33.0	17.5	19.0	7.9

NOTE:

• # MARKED DIMENSION IS IN FINGER TIGHT POSITION.

	SIGN	DATE
DRAWN BY	RW	04.05.2022
CHECKED BY	VK	04.05.2022
APPROVED BY	SM	04.05.2022



www.havi.in
info@havi.in

PART NAME : UNION ELBOW ODT x ODT				CUSTOMER NAME:-											
DWG NO : GA-UE-S6				PROJECT NAME:-											
MATERIAL : AS PER BOM				PO NO: -											
				ENQ-NO: EN2223/00089											
				SO NO: -											
<table border="1"> <thead> <tr> <th>REV NO</th> <th>DESCRIPTION</th> <th>SIGN</th> <th>DATE</th> </tr> </thead> <tbody> <tr> <td> </td> <td> </td> <td> </td> <td> </td> </tr> </tbody> </table>				REV NO	DESCRIPTION	SIGN	DATE					<p>* All dimensions are in mm. Dimensions for reference only and are subject to change without notice * This document is the property of Havi Engineering India Pvt. Ltd. No exploitation or release of any text contained herein or relating to this document is permitted in any form without the written consent of HAVI.</p>			
REV NO	DESCRIPTION	SIGN	DATE												
				REV NO: 00											
				SCALE: NTS											