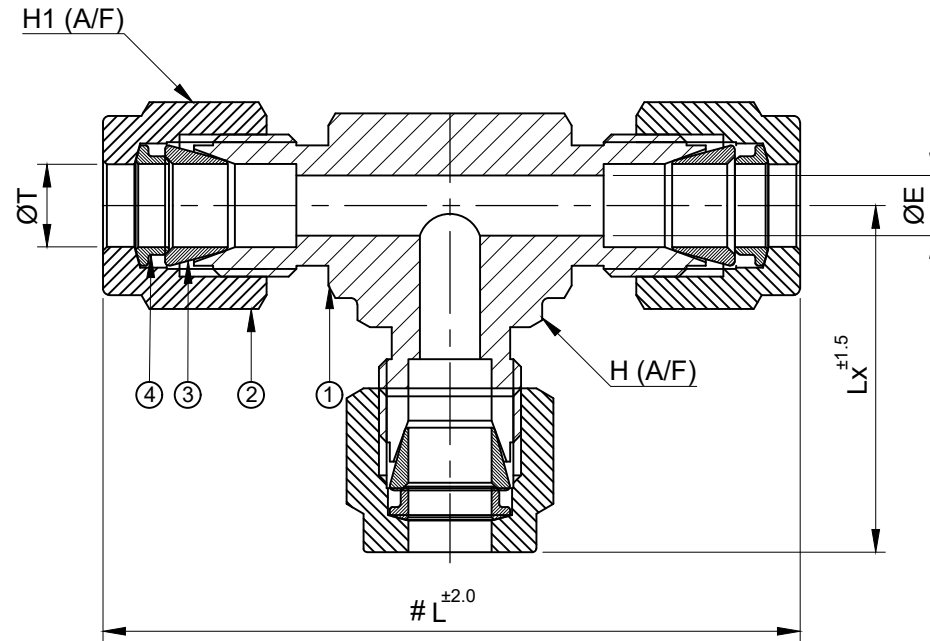


SR NO	DESCRIPTION	QTY	MATERIAL
1	BODY	1	SS 316
2	NUT	3	SS 316
3	FRONT FERRULE	3	SS 316
4	BACK FERRULE	3	SS 316



PART NO	ØT	Lx	L	H1 (A/F)	H (A/F)	ØE
4UT-S6	1/4"	27.0	54	14.28(9/16")	12.5	4.7
8UT-S6	1/2"	36.5	73	22.0	20.5	10.3



PART NAME :  
UNION TEE - TUBE OD x TUBE OD x TUBE OD

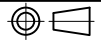
CUSTOMER NAME:-

DWG NO : - GA-UT-S6  
MATERIAL : - AS PER BOM

PROJECT NAME:-

END USER NAME :-

ENQ NO: EN2223/00475



SO NO: -

SHEET NO:  
01 OF 01

	SIGN	DATE
DRAWN BY	SB	15.10.2022
CHECKED BY	VK	15.10.2022
APPROVED BY	SM	15.10.2022

REV NO DESCRIPTION SIGN DATE

\* All dimensions are in mm. Dimensions for reference only and are subject to change without notice  
\* This document is the property of Havi Engineering India Pvt. Ltd. No exploitation or release of any text contained herein or relating to this document is permitted in any form without the written consent of HAVI.

REV NO: 00  
SCALE: NTS

NOTE:-

- UNLESS & OTHERWISE SPECIFIED ALL DIMENSIONS ARE IN 'mm'
- # MARKED DIMENSION IS IN FINGER TIGHT POSITION.

PATH: -Z:\2022-2023\EXPORT\EN222300475\GAD