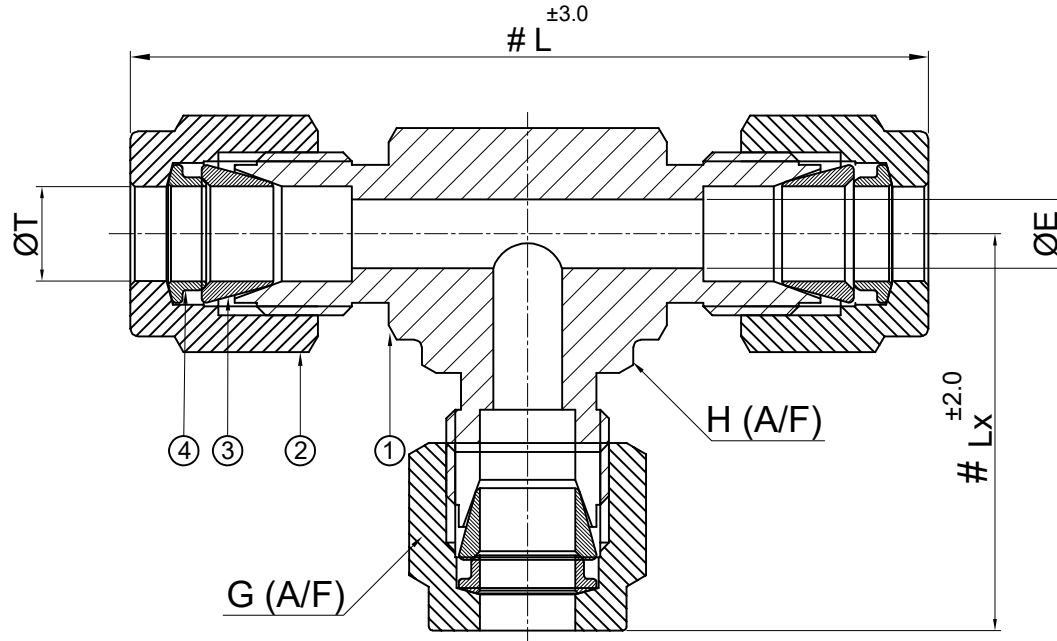


SR NO	DESCRIPTION	QTY	MATERIAL
1	BODY	1	SS 316
2	NUT	3	SS 316
3	FRONT FERRULE	3	SS 316
4	BACK FERRULE	3	SS 316



Sr.No.	PART NO	ØT	Lx	L	H (A/F)	G (A/F)	ØE
2	4UT-S6	1/4"	27.0	54.0	12.5	14.28(9/16")	4.7
7	8UT-S6	1/2"	36.5	73.0	20.5	22.0	10.3
14	6UT-S6	3/8"	31.0	62.0	17.5	17.5	7.1

PART NAME :- UNION TEE - ODT x ODT x ODT				CUSTOMER NAME:-																									
DWG NO : GA-UT-S6				PROJECT NAME:-																									
MATERIAL : SS 316				PO NO:-																									
				ENQ NO: EN2223/00730																									
				SO NO: -																									
<table border="1"> <thead> <tr> <th>REV NO</th> <th>DESCRIPTION</th> <th>SIGN</th> <th>DATE</th> </tr> </thead> <tbody> <tr> <td>DRAWN BY</td> <td>VK</td> <td>31.10.2022</td> <td></td> </tr> <tr> <td>CHECKED BY</td> <td>SB</td> <td>31.10.2022</td> <td></td> </tr> <tr> <td>APPROVED BY</td> <td>SM</td> <td>31.10.2022</td> <td></td> </tr> </tbody> </table>				REV NO	DESCRIPTION	SIGN	DATE	DRAWN BY	VK	31.10.2022		CHECKED BY	SB	31.10.2022		APPROVED BY	SM	31.10.2022		<table border="1"> <tr> <td colspan="2">SHEET NO: 01 OF 01</td> </tr> <tr> <td colspan="2">REV NO: 00</td> </tr> <tr> <td colspan="2">SCALE: NTS</td> </tr> </table>				SHEET NO: 01 OF 01		REV NO: 00		SCALE: NTS	
REV NO	DESCRIPTION	SIGN	DATE																										
DRAWN BY	VK	31.10.2022																											
CHECKED BY	SB	31.10.2022																											
APPROVED BY	SM	31.10.2022																											
SHEET NO: 01 OF 01																													
REV NO: 00																													
SCALE: NTS																													
				<p>* All dimensions are in mm. Dimensions for reference only and are subject to change without notice * This document is the property of Havi Engineering India Pvt. Ltd. No exploitation or release of any text contained herein or relating to this document is permitted in any form without the written consent of HAVI.</p>																									

NOTE:
• # MARKED DIMENSION IS IN FINGER TIGHT POSITION.
• NPT THREAD AS PER ANSI B 1.20.1.

PATH: -X:\2022-2023\EXPORT\EN222300730