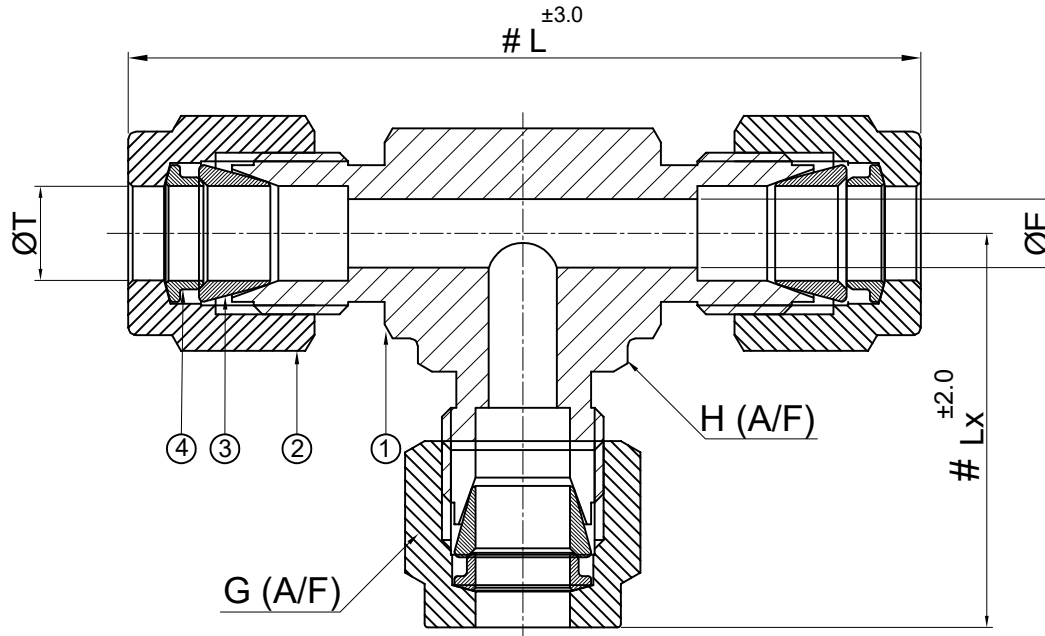


SR NO	DESCRIPTION	QTY	MATERIAL
1	BODY	1	SS 316
2	NUT	3	SS 316
3	FRONT FERRULE	3	SS 316
4	BACK FERRULE	3	SS 316



Sr.No.	PART NO	ØT	Lx	L	H (A/F)	G (A/F)	ØE	Pressure Rating(Psig)
1	8MUT-S6	8mm	29.5	59.0	15.0	16.0	6.4	6000
2	12MUT-S6	12mm	37.5	75.0	20.5	22.0	9.5	6000

PART NAME :- UNION TEE - ODT x ODT x ODT				CUSTOMER NAME:-			
DWG NO : GA-UT-S6				PROJECT NAME:-			
MATERIAL : SS 316				PO NO:-			
DRAWN BY VK 05.09.2022				ENQ NO: EN2223/00614			
CHECKED BY SB 05.09.2022				SHEET NO: 01 OF 01			
APPROVED BY SM 05.09.2022				SO NO: -			
REV NO	DESCRIPTION	SIGN	DATE	* All dimensions are in mm. Dimensions for reference only and are subject to change without notice			
www.havi.in info@havi.in				* This document is the property of Havi Engineering India Pvt. Ltd. No exploitation or release of any text contained herein or relating to this document is permitted in any form without the written consent of HAVI.			
				REV NO: 00			
				SCALE: NTS			

NOTE:

- # MARKED DIMENSION IS IN FINGER TIGHT POSITION.
- NPT THREAD AS PER ANSI B 1.20.1.