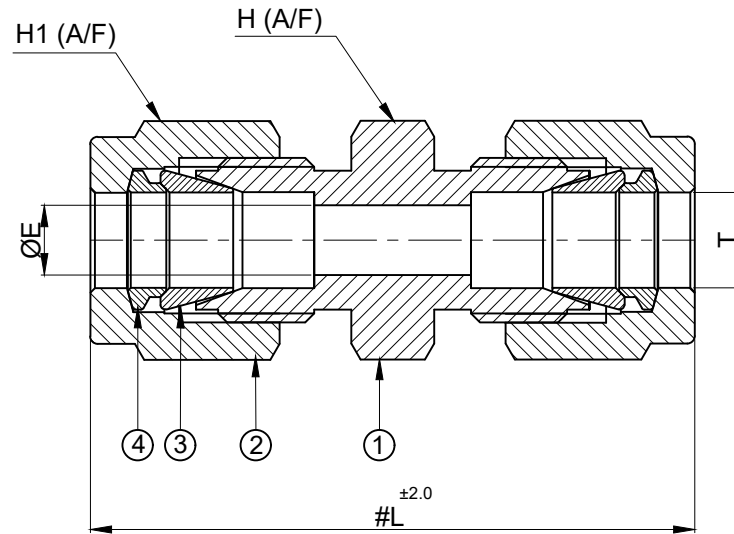


SR NO	DESCRIPTION	QTY	MATERIAL
1	BODY	1	SS 316
2	NUT	2	SS 316
3	FRONT FERRULE	2	SS 316
4	BACK FERRULE	2	SS 316



SR NO	PART NO	T(mm)	L	H1 (A/F)	H (A/F)	ØE
1	12MU-S6	12	50.8	22.0	22.0	9.5
2	8MU-S6	8	46.0	16.0	14.0	6.4

 info@havi.in www.havi.in A-201, PRIME TRADE CENTER SATIVALI ROAD, VASAJ (E), PALGHAR - 401208, MAHARASHTRA, INDIA		PART NAME : UNION ODT X ODT				CUSTOMER NAME:-									
		DWG NO : - GA-U-S6				PROJECT NAME:-									
		MATERIAL : - SS316				END USER:-									
DRAWN BY		SB	22.04.2022	REV NO		DESCRIPTION		SIGN		DATE		SO NO: -		SHEET NO: 01 OF 01	
CHECKED BY		VK	22.04.2022	* All dimensions are in mm. Dimensions for reference only and are subject to change without notice		* This document is the property of Havi Engineering India Pvt. Ltd. No exploitation or release of any text contained herein or relating to this document is permitted in any form without the written consent of HAVI.		SCALE: NTS		REV NO: 00					
APPROVED BY		SM	22.04.2022												

NOTE:
 • # MARKED DIMENSION IS IN FINGER TIGHT POSITION.
 • UNLESS SPECIFIED ALL DIMENSIONS ARE IN 'mm'

PATH: - Z:\2022-2023\EXPORT\EN22300080\GAD