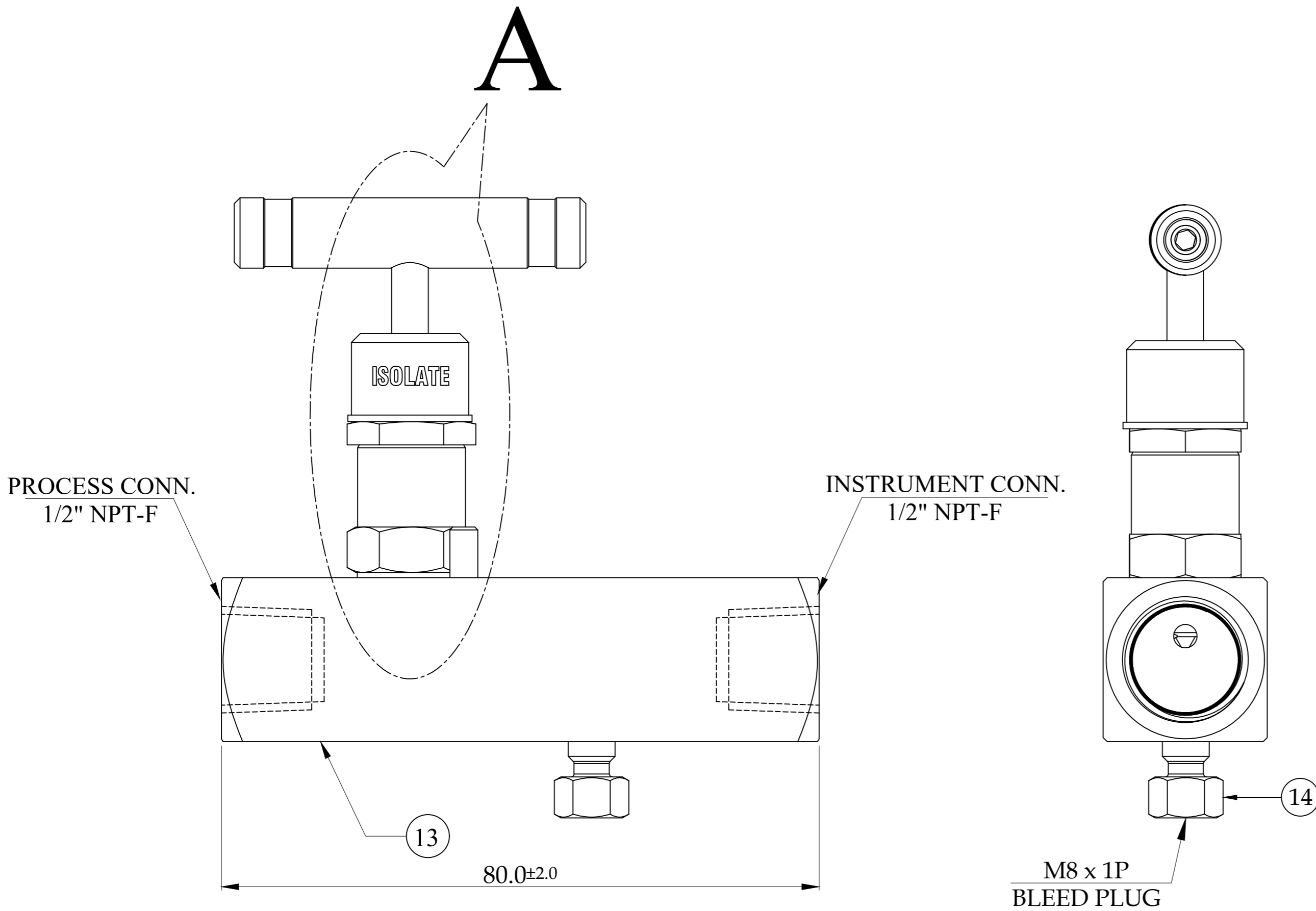
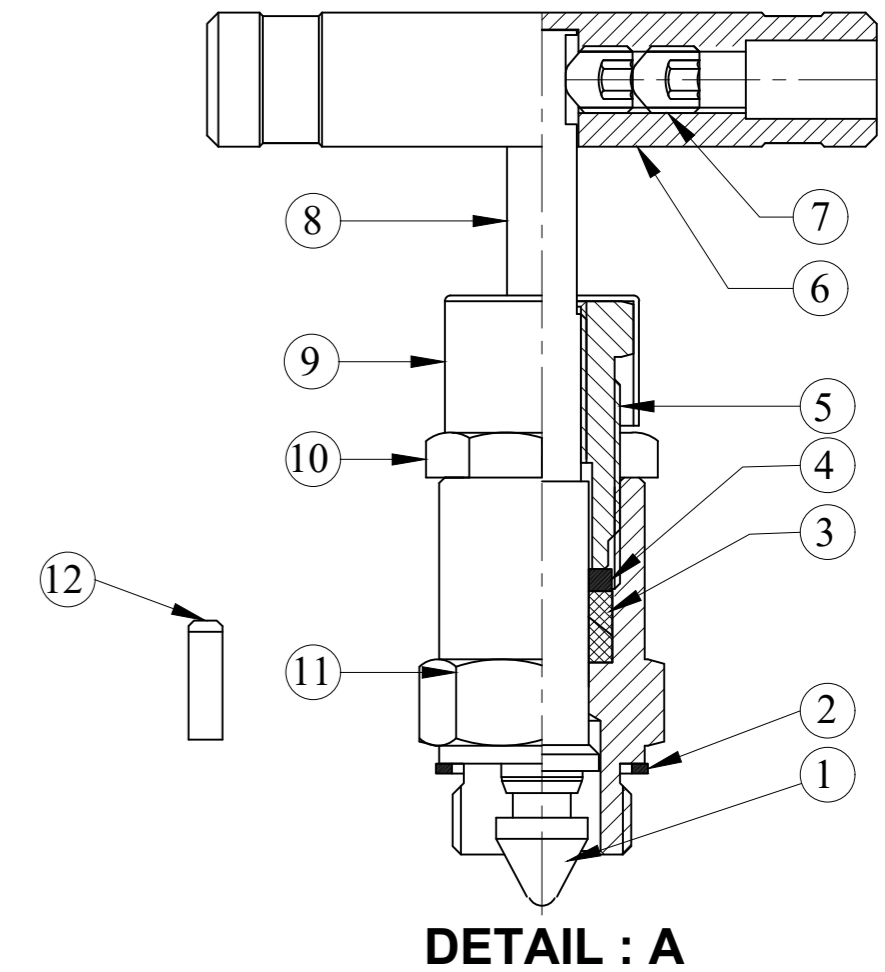


Qty:- 30

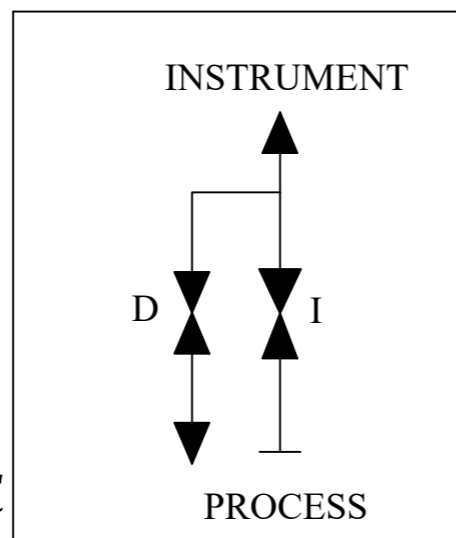


SR No.	Description	Material	Qty
1	Tip	ASTM A479 Gr. SS316	2
2	Bonnet Packing	ASTM A479 Gr. SS316	2
3	Gland Packing	GFT	2 Set
4	Gland Washer	ASTM A479 Gr. SS316	2
5	Bonnet Pusher	ASTM A479 Gr. SS316	2
6	Handle	SS304	2
7	Grub Screw	SS 304	4
8	Spindle	ASTM A479 Gr. SS316	2
9	Drain Cap	ALUMINIUM	2
10	Check Nut	SS 304	2
11	Bonnet	ASTM A479 Gr. SS316	2
12	Dowel Pin	SS 304	2
13	Body	ASTM A182 Gr. F316	1
14	Bleed Plug	ASTM A479 Gr. SS316	1



TECHNICAL DETAILS:

- PROCESS SIDE: 1/2" NPT-F
- INSTRUMENT SIDE: 1/2" NPT-F
- DRAIN: M8 X 1P (BLEED PLUGGED)
- SCREWED BONNET DESIGN
- ORIFICE:- 4MM
- MWP : 6000 PSIG @100°F
- SEAT TEST PRESS (HYDRO): 6600 PSIG
- SEAT TEST PRESS (PNEU): 90 PSIG
- BODY TEST PRESS(HYDRO) : 9000 PSIG
- TEMPERATURE RANGE:- -54°C TO +260°C



havi
Fittings & Valves
info@havi.in www.havi.in
A-201, PRIME TRADE CENTER
SATIVALI ROAD, VASAI (E),
PALGHAR - 401208, MAHARASHTRA, INDIA

	SIGN	DATE
DRAWN BY	MBC	11.08.2023
CHECKED BY	VSM	11.08.2023
APPROVED BY	SRD	11.08.2023

PART NAME : Gauge Valve with Bleed Plug, 1/2" NPTF x 1/2" NPTF			CUSTOMER NAME:-		
DWG NO : - GVB-8F-8F-S6			PROJECT NAME:-		
MATERIAL : - AS PER BOM			ENQ NO: EN2324/00500		
REV NO			PO NO :		
DESCRIPTION			SO NO :		
SIGN			SHEET NO: 01 OF 01		
DATE			REV NO: 00		
			SCALE: NTS		

* All dimensions are in mm. Dimensions for reference only and are subject to change without notice
* This document is the property of Havi Engineering India Pvt. Ltd. No exploitation or release of any text contained herein or relating to this document is permitted in any form without the written consent of HAVI.

PATH: -X:12023-2024\EXPORT\EN2324\00500\GAD