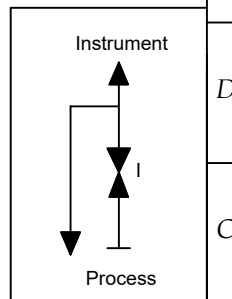
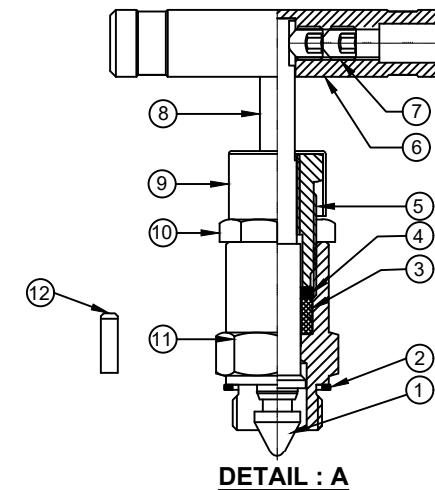
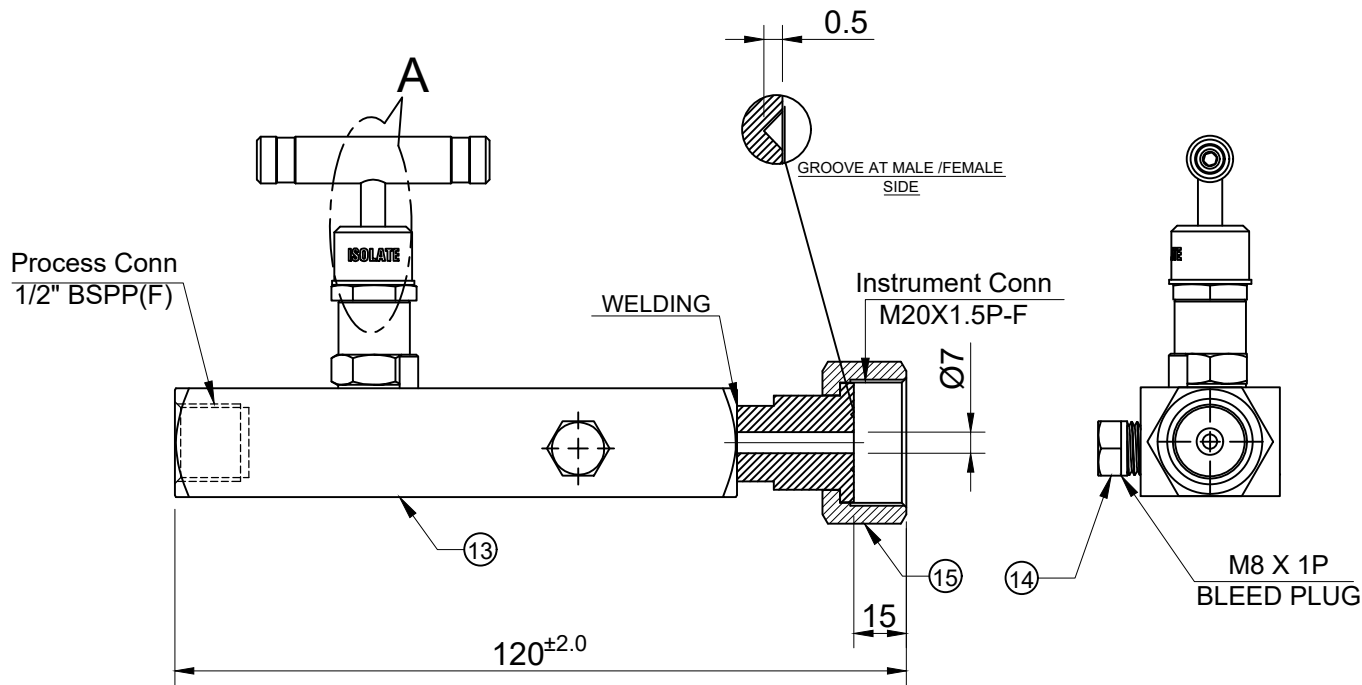


Sr No.	Description	Material	Qty
1	Tip	ASTM A479 Gr.SS316	1
2	Bonnet Packing	ASTM A479 Gr.SS316	1
3	Gland Packing	GFT	1 Set
4	Gland Washer	ASTM A479 Gr.SS316	1
5	Bonnet Pusher	ASTM A479 Gr.SS316	1
6	Handle	SS 316	1
7	Grub Screw	SS316	2
8	Spindle	ASTM A479 Gr.SS316	1
9	Drain Cap	ALUMINIUM	1
10	Check Nut	SS316	1
11	Bonnet	ASTM A479 Gr.SS316	1
12	Dowel Pin	SS316	1
13	Body	ASTM A182 Gr.F316	1
14	Bleed Plug	ASTM A479 Gr.SS316	1
15	Swivel Nut	ASTM A479 Gr.SS316	1



TECHNICAL DETAILS:

- Process Side: 1/2" BSPP-F
- Instrument Side: M20X1.5P-F
- Drain: 1/4" NPT-F (Plugged)
- Screwed Bonnet Design
- Orifice: 4mm

- MWP : 6000 psig @100°F
- Seat Test Press (Hydro): 6600 psig
- Seat Test Press (Pneu): 90 psig
- Body Test Press(Hydro) : 9000 psig

havi
Fittings & Valves
info@havi.in www.havi.in
A-201, PRIME TRADE CENTER
SATIVALI ROAD, VASAI (E),
PALGHAR - 401208, MAHARASHTRA, INDIA

	SIGN	DATE
DRAWN BY	MBC	14.07.2023
CHECKED BY	VM	14.07.2023
APPROVED BY	SRD	14.07.2023

PART NAME : Guage Valve with 1/4" Drain

CUSTOMER NAME:

DWG NO : - GVB-8IPF-M20FSN-S6

PROJECT NAME :

MATERIAL : - AS PER BOM

ENQ NO: EN2324/00409

REV NO

DESCRIPTION

SIGN

DATE

SO NO:

SHEET NO:
01 OF 01

* All dimensions are in mm. Dimensions for reference only and are subject to change without notice

* This document is the property of Havi Engineering India Pvt. Ltd. No exploitation or release of any text contained herein or relating to this document is permitted in any form without the written consent of HAVI.

REV NO: 00

SCALE: NTS