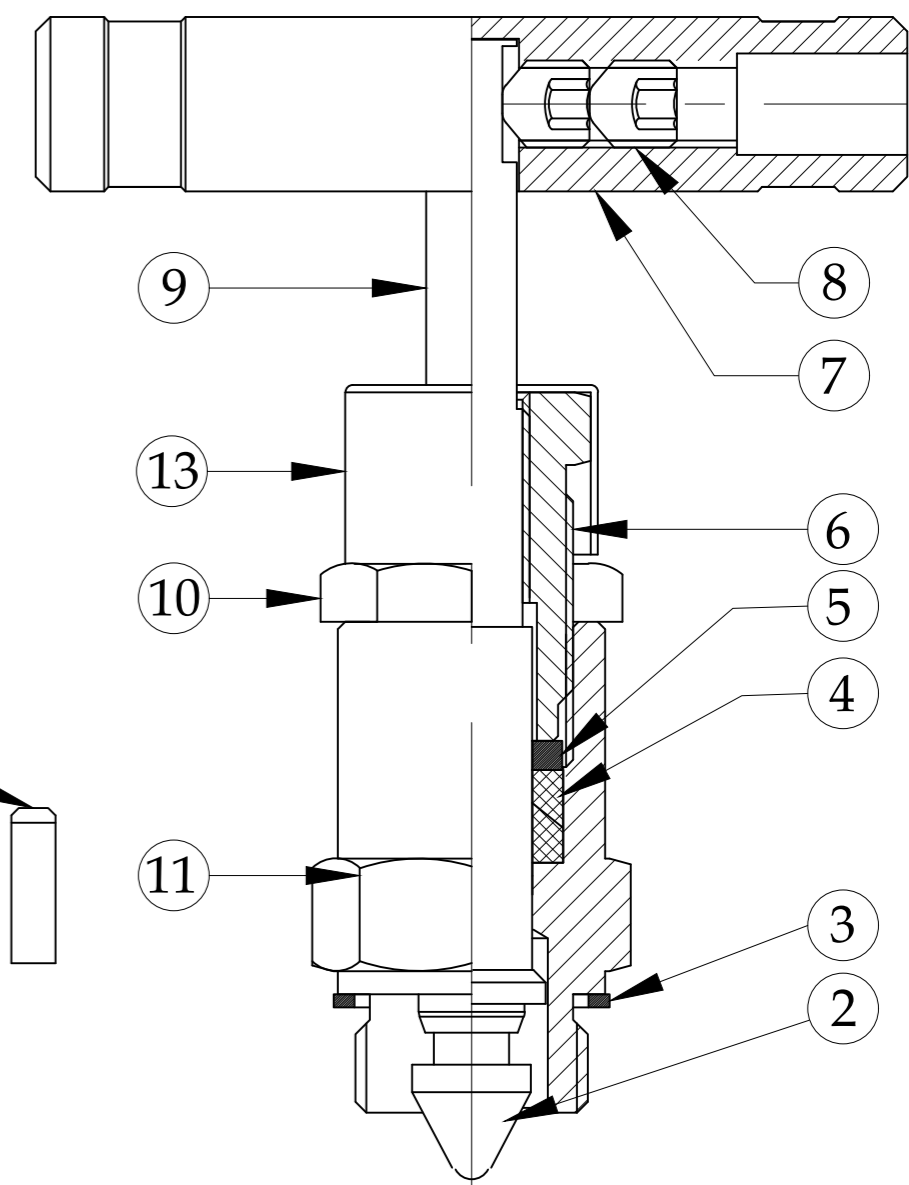


SR NO	DESCRIPTION	MATERIAL	QTY
1	BODY	ASTM A479 Gr F316	1
2	TIP	ASTM A479 Gr 316	1
3	BONNET WASHER	ASTM A479 Gr 316	1
4	GLAND PACKING	GFT	1 SET
5	BACKUP WASHER	ASTM A479 Gr 316	1
6	BONNET PUSHER	ASTM A479 Gr 316	1
7	HANDLE	SS 304	1
8	GRUB SCREW	SS 304	2
9	SPINDLE	ASTM A479 Gr 316	1
10	CHECK NUT	SS 304	1
11	BONNET	ASTM A479 Gr 316	1
12	DOWEL PIN	SS 304	1
13	DUST CAP	ALUMINIUM	1
14	BLEED PLUG	ASTM A479 Gr 316	1
15	SWIVEL NUT	ASTM A479 Gr 316	1



TECHNICAL DATA:-

- PROCESS CONN.: 1/2" BSPP-M
- INSTRUMENT CONN.: 1/2" BSPP-F WITH SWELVE NUT
- 1/4" NPT-F BLEED PLUG
- ORIFICE: 4MM
- SCREWED BONNET DESIGN
- TEMPERATURE RANGE:- -54°C TO +260°C
- MWP.: 6000 PSIG @ 100 °F
- SEAT TEST PRESS (HYDRO): 6600 PSIG
- SEAT TEST PRESS (PNEU): 90 PSIG
- BODY TEST PRESS (HYDRO): 9000 PSIG

<p>havi Fittings & Valves info@havi.in www.havi.in A-201, PRIME TRADE CENTER SATIVALI ROAD, VASAI (E), PALGHAR - 401208, MAHARASHTRA, INDIA</p>	PART NAME : GAUGE VALVE 1/2" BSPP-M x 1/2" BSPP-F With swivel nut, M8 Bleed plug				CUSTOMER NAME:-																		
	DWG NO : - GVB-8IPM-8IPFSN-4F-S6				PROJECT NAME :-																		
	MATERIAL : - AS PER BOM				END USER NAME :-																		
	<table border="1"> <thead> <tr> <th>REV NO</th> <th>DESCRIPTION</th> <th>SIGN</th> <th>DATE</th> </tr> </thead> <tbody> <tr> <td>DRAWN BY</td> <td>MBC</td> <td>12.08.2023</td> <td></td> </tr> <tr> <td>CHECKED BY</td> <td>VSM</td> <td>12.08.2023</td> <td></td> </tr> <tr> <td>APPROVED BY</td> <td>SRD</td> <td>12.08.2023</td> <td></td> </tr> </tbody> </table>				REV NO	DESCRIPTION	SIGN	DATE	DRAWN BY	MBC	12.08.2023		CHECKED BY	VSM	12.08.2023		APPROVED BY	SRD	12.08.2023		ENQ NO: EN2324/00503		
REV NO	DESCRIPTION	SIGN	DATE																				
DRAWN BY	MBC	12.08.2023																					
CHECKED BY	VSM	12.08.2023																					
APPROVED BY	SRD	12.08.2023																					
<p>* All dimensions are in mm. Dimensions for reference only and are subject to change without notice * This document is the property of Havi Engineering India Pvt. Ltd. No exploitation or release of any text contained herein or relating to this document is permitted in any form without the written consent of HAVI.</p>								<p>SHEET NO: 01 OF 01</p>															
								<p>REV NO: 00</p>															
								<p>SCALE: NTS</p>															

PATH: -X:\2023-2024\EXPORT\EN2324\00503\GAD