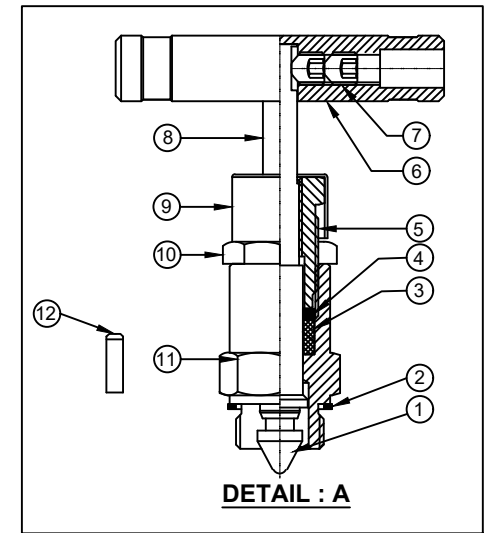
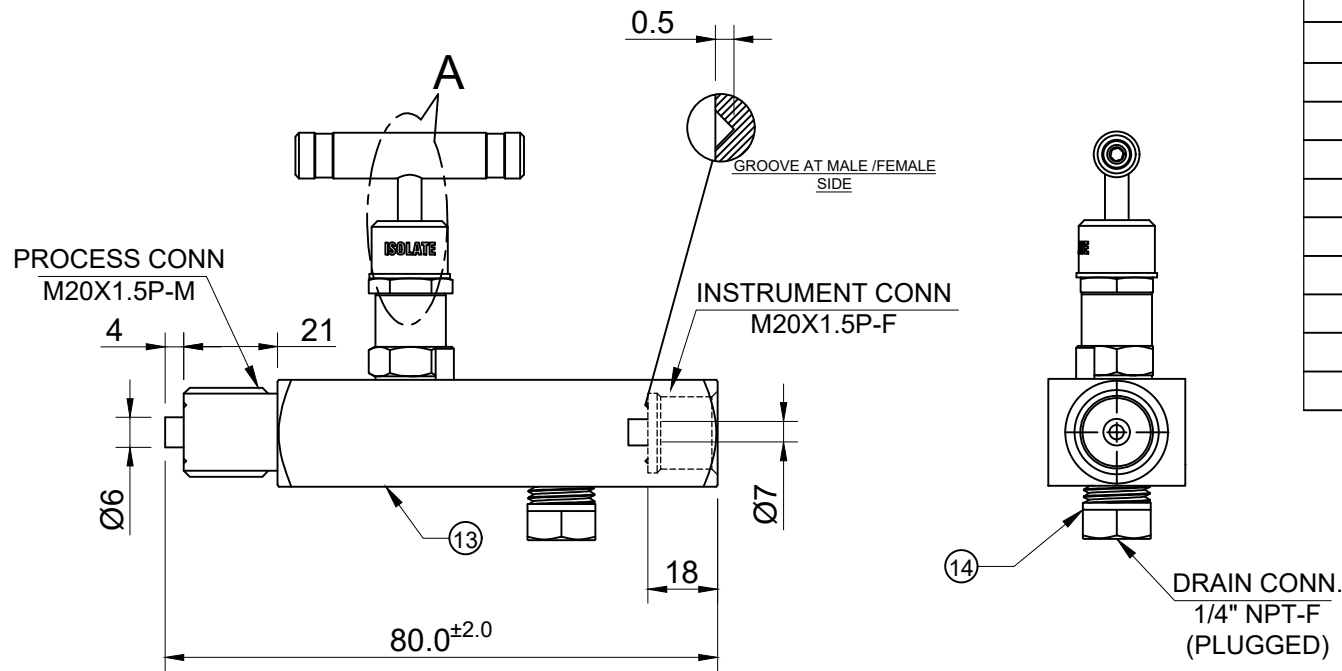


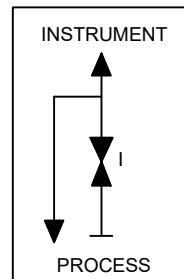
Sr No.	Description	Material	Qty
1	TIP	ASTM A479 Gr.SS316	1
2	BONNET PACKING	ASTM A479 Gr.SS316	1
3	GLAND PACKING	GRAPHITE	1 Set
4	GLAND WASHER	ASTM A479 Gr.SS316	1
5	BONNET PUSHER	ASTM A479 Gr.SS316	1
6	HANDLE	SS 316	1
7	GRUB SCREW	SS316	2
8	SPINDLE	ASTM A479 Gr.SS316	1
9	DRAIN CAP	ALUMINIUM	1
10	CHECK NUT	SS316	1
11	BONNET	ASTM A479 Gr.SS316	1
12	DOWEL PIN	SS316	1
13	BODY	ASTM A182 Gr.F316	1
14	DRAIN PLUG	ASTM A479 Gr.SS316	1



**TECHNICAL DETAILS:**

- PROCESS SIDE: M20X1.5P-M
- INSTRUMENT SIDE: M20X1.5P-F
- DRAIN: 1/4" NPT-F (PLUGGED)
- SCREWED BONNET DESIGN
- ORIFICE: 4MM
- DESIGN TEMP. : -53 Deg C To 649 Deg C

- MWP : 6000 PSIG @100°F
- SEAT TEST PRESS (HYDRO): 6600 PSIG
- SEAT TEST PRESS (PNEU): 90 PSIG
- BODY TEST PRESS(HYDRO) : 9000 PSIG



**havi**  
Fittings & Valves  
info@havi.in www.havi.in  
A-201, PRIME TRADE CENTER  
SATIVALI ROAD, VASAI (E),  
PALGHAR - 401208, MAHARASHTRA, INDIA

DRAWN BY	SIGN	DATE
CHECKED BY	SIGN	DATE
APPROVED BY	SIGN	DATE

PART NAME : GUAGE VALVE WITH 1/4" DRAIN		CUSTOMER NAME:	
DWG NO : GVB-M20M-M20F-4F-S6-G		PROJECT NAME & NO:	
MATERIAL : AS PER BOM		ENQ NO:EN2223/00635	
REV NO		SO NO: SO2324/00154	
DESCRIPTION		SHEET NO: 01 OF 01	
SIGN		REV NO: 00	
DATE		SCALE: NTS	

\* All dimensions are in mm. Dimensions for reference only and are subject to change without notice  
\* This document is the property of Havi Engineering India Pvt. Ltd. No exploitation or release of any text contained herein or relating to this document is permitted in any form without the written consent of HAVI.

PATH: Z:\FY 2023-24\ISO-0154\GAD\SUBMITTED GAD