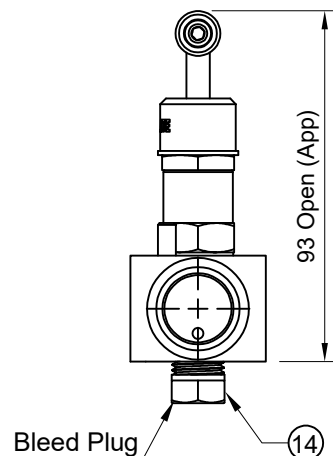
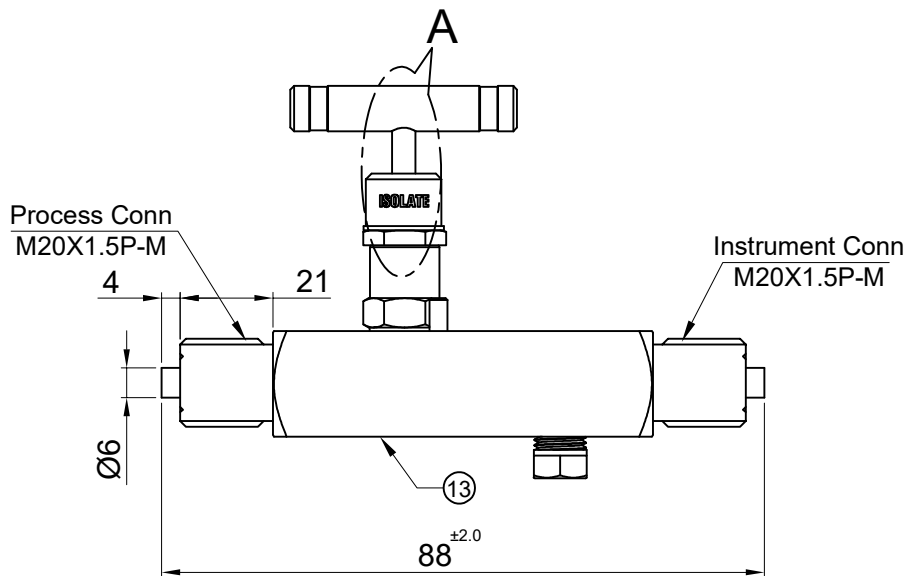
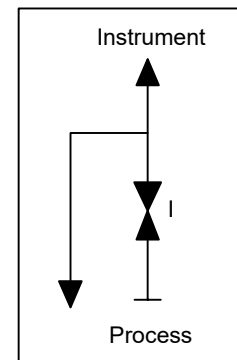
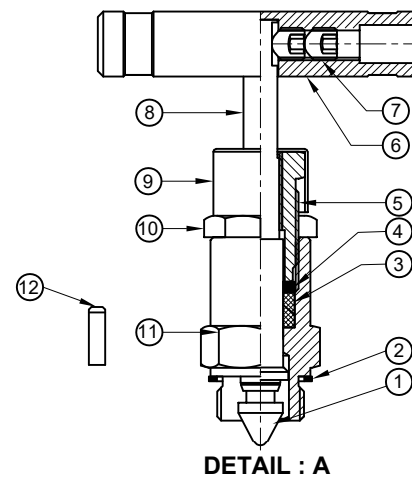


PATH: Z:\2022-2023\EXPORT\IEN222301\370\GAD



| Sr No. | Description    | Material           | Qty   |
|--------|----------------|--------------------|-------|
| 1      | Tip            | ASTM A479 Gr.SS316 | 1     |
| 2      | Bonnet Packing | ASTM A479 Gr.SS316 | 1     |
| 3      | Gland Packing  | GFT                | 1 Set |
| 4      | Gland Washer   | ASTM A479 Gr.SS316 | 1     |
| 5      | Bonnet Pusher  | ASTM A479 Gr.SS316 | 1     |
| 6      | Handle         | SS 316             | 1     |
| 7      | Grub Screw     | SS 304             | 2     |
| 8      | Spindle        | ASTM A479 Gr.SS316 | 1     |
| 9      | Drain Cap      | PVC                | 1     |
| 10     | Check Nut      | SS304              | 1     |
| 11     | Bonnet         | ASTM A479 Gr.SS316 | 1     |
| 12     | Dowel Pin      | SS304              | 1     |
| 13     | Body           | ASTM A182 Gr.F316  | 1     |
| 14     | Bleed Plug     | ASTM A479 Gr.SS316 | 1     |



**TECHNICAL DETAILS:**

- Process Side: M20X1.5P-M
- Instrument Side: M20X1.5P-M
- Screwed Bonnet Design
- MWP : 6000 psig @100°F
- Seat Test Press (Hydro): 6600 psig
- Seat Test Press (Pneu): 90 psig
- Body Test Press(Hydro) : 9000 psig

|   |   |            |                     |             |      |      |        |                       |
|---|---|------------|---------------------|-------------|------|------|--------|-----------------------|
| <p><b>havi</b><br/>Fittings &amp; Valves<br/>info@havi.in www.havi.in<br/>A-201, PRIME TRADE CENTER<br/>SATIVALI ROAD, VASAI (E),<br/>PALGHAR - 401208, MAHARASHTRA, INDIA</p>  | PART NAME : Guage valve M20X1.5P-M x M20 X 1.5P-M |            | CUSTOMER NAME:      |             |      |      |        |                       |
|   | DWG NO : - GVB-M20M-M20M-S6                       |            | PROJECT NAME & NO:  |             |      |      |        |                       |
|   | MATERIAL : - AS PER BOM                           |            | ENQ NO:EN2223/01370 |             |      |      |        |                       |
|   |   |            | SO NO:              |             |      |      |        |                       |
| DRAWN BY  | SIGN  | DATE       | REV NO              | DESCRIPTION | SIGN | DATE | SO NO: | SHEET NO:<br>01 OF 01 |
| CHECKED BY  | RW  | 20.02.2023 |                     |             |      |      |        | REV NO: 00            |
| APPROVED BY   | SD  | 20.02.2023 |                     |             |      |      |        | SCALE: NTS            |
| <p>* All dimensions are in mm. Dimensions for reference only and are subject to change without notice<br/>                 * This document is the property of Havi Engineering India Pvt. Ltd. No exploitation or release of any text contained herein or relating to this document is permitted in any form without the written consent of HAVI.</p> |   |            |                     |             |      |      |        |                       |