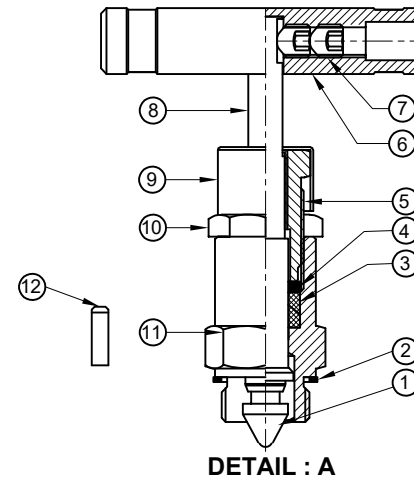
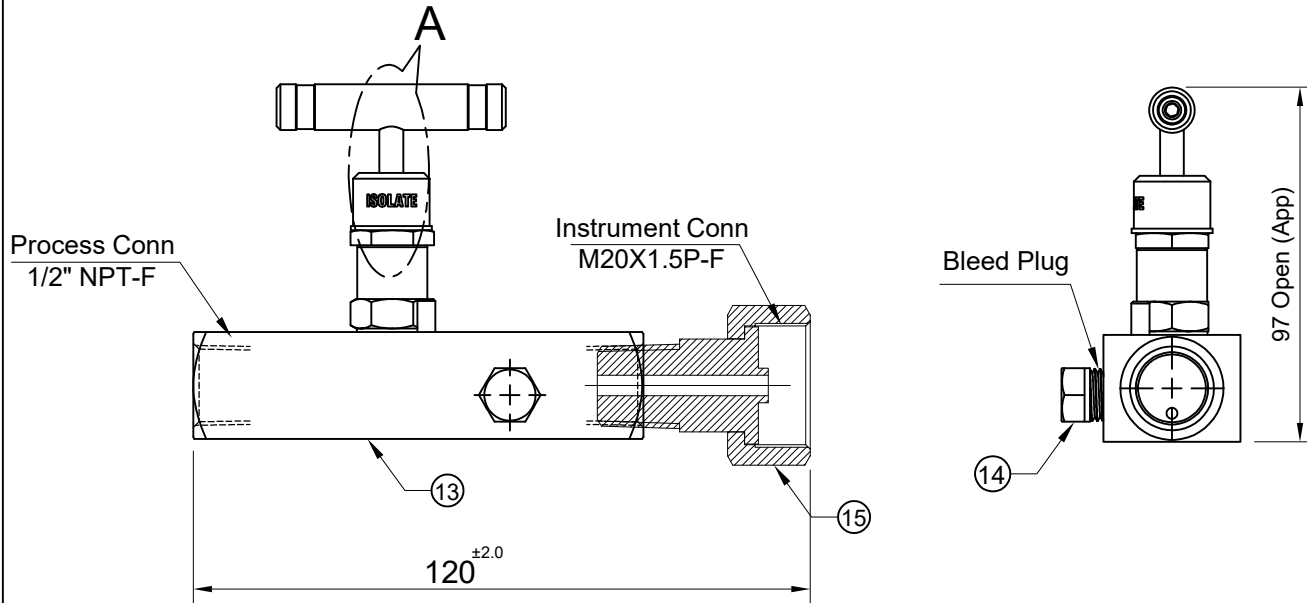



Sr No.	Description	Material	Qty
1	Tip	ASTM A479 Gr.SS316	1
2	Bonnet Packing	ASTM A479 Gr.SS316	1
3	Gland Packing	GFT	2 Set
4	Gland Washer	ASTM A479 Gr.SS316	1
5	Bonnet Pusher	ASTM A479 Gr.SS316	1
6	Handle	SS 316	1
7	Grub Screw	SS 304	2
8	Spindle	ASTM A479 Gr.SS316	1
9	Drain Cap	PVC	1
10	Check Nut	SS304	1
11	Bonnet	ASTM A479 Gr.SS316	1
12	Dowel Pin	SS316	1
13	Body	ASTM A182 Gr.F316	1
14	Bleed Plug	ASTM A479 Gr.SS316	1
15	Swivel Nut	ASTM A479 Gr.SS316	1



TECHNICAL DETAILS:

- Process Side: 1/2" NPT-F
- Instrument Side: M20X1.5P-F with Swivel Nut
- Screwed Bonnet Design
- MWP : 10000 psig @100°F
- Seat Test Press (Hydro): 11000 psig
- Seat Test Press (Pneu): 90 psig
- Body Test Press(Hydro) : 15000 psig

 <p>havi Fittings & Valves info@havi.in www.havi.in A-201, PRIME TRADE CENTER SATIVALI ROAD, VASAJ (E), PALGHAR - 401208, MAHARASHTRA, INDIA</p>	PART NAME : Guage valve 1/2" NPT-F x M20 X 1.5P-F With Swivel Nut		CUSTOMER NAME: -					
	DWG NO : - GVBH-8F-M20FSN-S6		PROJECT NAME & NO: -					
	MATERIAL : - AS PER BOM		ENQ NO:EN2223/00589					
SIGN		DATE	REV NO	DESCRIPTION	SIGN	DATE	SO NO:	SHEET NO: 01 OF 01
DRAWN BY: VK		10.10.2022		* All dimensions are in mm. Dimensions for reference only and are subject to change without notice				REV NO: 00
CHECKED BY: SB		10.10.2022		* This document is the property of Havi Engineering India Pvt. Ltd. No exploitation or release of any text contained herein or relating to this document is permitted in any form without the written consent of HAVI.				SCALE: NTS
APPROVED BY: SM		10.10.2022						