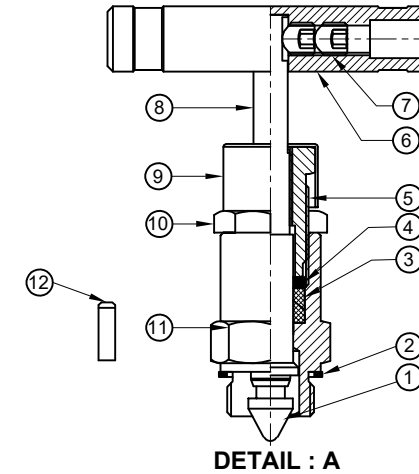

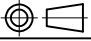


Sr No.	Description	Material	Qty
1	Tip	ASTM A479 Gr.SS316	1
2	Bonnet Packing	ASTM A479 Gr.SS316	1
3	Gland Packing	GFT	2 Set
4	Gland Washer	ASTM A479 Gr.SS316	1
5	Bonnet Pusher	ASTM A479 Gr.SS316	1
6	Handle	SS 316	1
7	Grub Screw	SS 304	2
8	Spindle	ASTM A479 Gr.SS316	1
9	Drain Cap	PVC	1
10	Check Nut	SS304	1
11	Bonnet	ASTM A479 Gr.SS316	1
12	Dowel Pin	SS316	1
13	Body	ASTM A182 Gr.F316	1
14	Bleed Plug	ASTM A479 Gr.SS316	1



TECHNICAL DETAILS:

- Process Side: 14mm Weld Tube
- Instrument Side: M20X1.5P-F
- Screwed Bonnet Design
- MWP : 10000 psig @100°F
- Seat Test Press (Hydro): 11000 psig
- Seat Test Press (Pneu): 90 psig
- Body Test Press(Hydro) : 15000 psig

 havi Fittings & Valves info@havi.in www.havi.in A-201, PRIME TRADE CENTER SATIVALI ROAD, VASAI (E), PALGHAR - 401208, MAHARASHTRA, INDIA		PART NAME : Guage valve 14mm Weld Tube x M20 X 1.5P-F		CUSTOMER NAME: -	
		DWG NO : - GVBH-M20M-M20F-14MTBW-S6		PROJECT NAME & NO: -	
MATERIAL : - AS PER BOM		ENQ NO:EN2223/00589			
SIGN		DATE		SO NO:	
DRAWN BY: VK		10.10.2022		SHEET NO: 01 OF 01	
CHECKED BY: SB		10.10.2022		REV NO: 00	
APPROVED BY: SM		10.10.2022		SCALE: NTS	
* All dimensions are in mm. Dimensions for reference only and are subject to change without notice * This document is the property of Havi Engineering India Pvt. Ltd. No exploitation or release of any text contained herein or relating to this document is permitted in any form without the written consent of HAVI.					

PATH: -T:\2022-2023\EXPORT\EN222300589

12 11 10 9 8 7 6 5 4 3 2 1