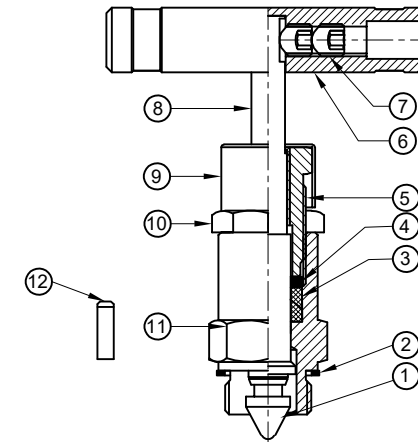
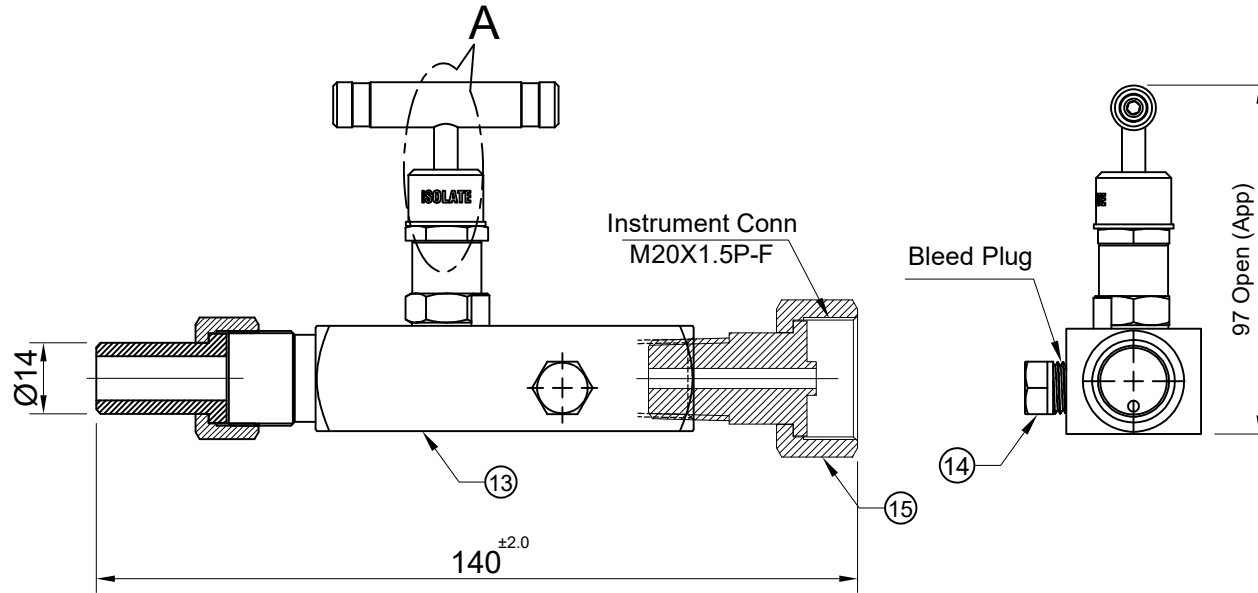


Sr No.	Description	Material	Qty
1	Tip	ASTM A479 Gr.SS316	1
2	Bonnet Packing	ASTM A479 Gr.SS316	1
3	Gland Packing	GFT	2 Set
4	Gland Washer	ASTM A479 Gr.SS316	1
5	Bonnet Pusher	ASTM A479 Gr.SS316	1
6	Handle	SS 316	1
7	Grub Screw	SS 304	2
8	Spindle	ASTM A479 Gr.SS316	1
9	Drain Cap	PVC	1
10	Check Nut	SS304	1
11	Bonnet	ASTM A479 Gr.SS316	1
12	Dowel Pin	SS316	1
13	Body	ASTM A182 Gr.F316	1
14	Bleed Plug	ASTM A479 Gr.SS316	1
15	Swivel Nut	ASTM A479 Gr.SS316	1



DETAIL : A

TECHNICAL DETAILS:

- Process Side: 14mm Weld Tube
- Instrument Side: M20X1.5P-F with Swivel Nut
- Screwed Bonnet Design
- MWP : 10000 psig @100°F
- Seat Test Press (Hydro): 11000 psig
- Seat Test Press (Pneu): 90 psig
- Body Test Press (Hydro) : 15000 psig

havi
Fittings & Valves
info@havi.in www.havi.in
A-201, PRIME TRADE CENTER
SATVALI ROAD, VASAI (E),
PALGHAR - 401208, MAHARASHTRA, INDIA

REV NO	DESCRIPTION	SIGN	DATE

PART NAME : Guage valve 14mm Weld Tube x M20 X 1.5P-F With Swivel Nut		CUSTOMER NAME: -	
DWG NO : - GVBH-M20M-M20FSN-14MTBW-S6		PROJECT NAME & NO: -	
MATERIAL : - AS PER BOM		ENQ NO: EN2223/00589	
SO NO:		SHEET NO: 01 OF 01	
DRAWN BY: VK CHECKED BY: SB APPROVED BY: SM		REV NO: 00	
SIGN		SCALE: NTS	
DATE		DATE	

PATH: -T:12022-2023EXPORTEN222300589