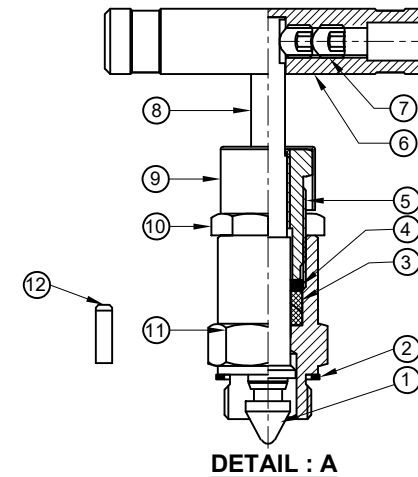


Sr No.	Description	Material	Qty
1	Tip	ASTM A479 Gr.SS316	1
2	Bonnet Packing	ASTM A479 Gr.SS316	1
3	Gland Packing	GFT	2 Set
4	Gland Washer	ASTM A479 Gr.SS316	1
5	Bonnet Pusher	ASTM A479 Gr.SS316	1
6	Handle	SS 316	1
7	Grub Screw	SS 304	2
8	Spindle	ASTM A479 Gr.SS316	1
9	Drain Cap	PVC	1
10	Check Nut	SS304	1
11	Bonnet	ASTM A479 Gr.SS316	1
12	Dowel Pin	SS316	1
13	Body	ASTM A182 Gr.F316	1
14	Bleed Plug	ASTM A479 Gr.SS316	1
15	Swivel Nut	ASTM A479 Gr.SS316	1



TECHNICAL DETAILS:

- Process Side: M20X1.5P-M
- Instrument Side: M20X1.5P-F with Swivel Nut
- Screwed Bonnet Design
- MWP : 10000 psig @100°F
- Seat Test Press (Hydro): 11000 psig
- Seat Test Press (Pneu): 90 psig
- Body Test Press (Hydro) : 15000 psig



PART NAME :
Gauge valve M20X1.5P-M x M20 X 1.5P-F With Swivel Nut

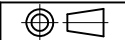
CUSTOMER NAME:

DWG NO : - GVBH-M20M-M20FSN-S6
MATERIAL : - AS PER BOM

PROJECT NAME & NO:

ENQ NO:EN2223/00589

SO NO:



SHEET NO:
01 OF 01

	SIGN	DATE
DRAWN BY	VK	10.10.2022
CHECKED BY	SB	10.10.2022
APPROVED BY	SM	10.10.2022

REV NO	DESCRIPTION	SIGN	DATE

* All dimensions are in mm. Dimensions for reference only and are subject to change without notice
* This document is the property of Havi Engineering India Pvt. Ltd. No exploitation or release of any text contained herein or relating to this document is permitted in any form without the written consent of HAVI.

SCALE: NTS