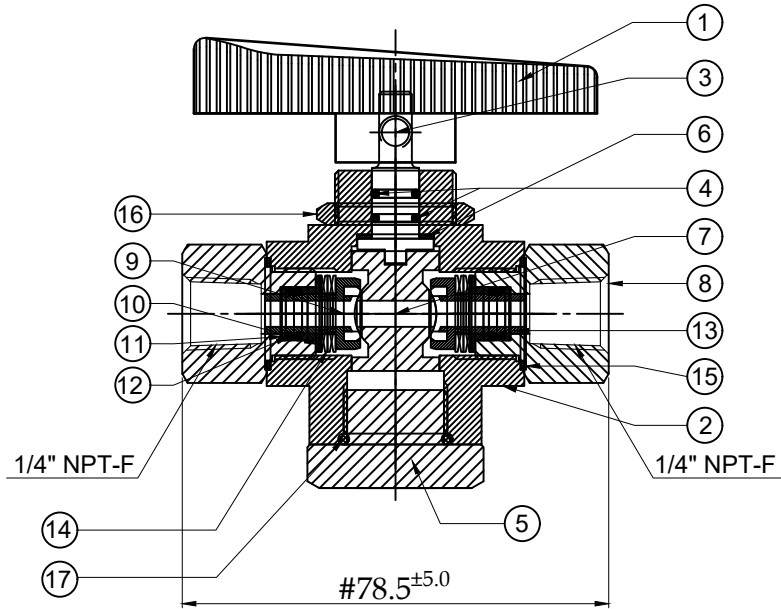


SR No.	QTY.
24	35




Sr No	PART	MATERIAL	QTY
1	Handle	Nylon / SS 316	1
2	Body	ASTM A479 Gr.316	2
3	Stem	ASTM A479 Gr.316	1
4	Stem O Ring	Viton/AED	2
5	Bottom Connector	ASTM A479 Gr.316	1
6	Stem Washer	PTFE/CFT	1
7	Ball	ASTM A479 Gr.316	1
8	End Connector	ASTM A479 Gr.316	2
9	Seat	Peek	2
10	Seat Carrier Guide	ASTM A479 Gr.316	2
11	Seat Carrier Backup Ring	PTFE/PEEK	4
12	Seat Carrier O Ring	Viton	4
13	Seat Retainer	ASTM A479 Gr.316	2
14	Seat Spring	ASTM A479 Gr.316	8
15	Seat Side Spring	PTFE/PEEK	2
16	Pannel Nut	ASTM A479 Gr.316	1
17	Bottom Connector Seal	ASTM A479 Gr.316	1

**Technical Data:-**

- M.W.T.: 230°C
- Bore Dia :.4.8mm
- M.W.P.: 10000psig @ 38° F
- Seat Test Press.: 11000 PSI
- Shell Test Press.: 15000 PSI

• Unless & Otherwise Specified All Dimensions are in 'mm'

PART NAME : HIGH PRESSURE PANNEL MOUNTED BALL VALVE 1/4 NPT(F) X 1/4 NPT (F)				CUSTOMER NAME:- VSP			
DWG NO : HBV-4F-4F-S6				PROJECT NAME:-			
MATERIAL : SS 316				PO NO:-			
DRAWN BY BKR 23-02-2024				ENQ NO: EN2324/00927			
CHECKED BY PDG 23-02-2024				SHEET NO: 18 OF 19			
APPROVED BY SRD 23-02-2024				SO NO: -			
 www.havi.in info@havi.in				* All dimensions are in mm. Dimensions for reference only and are subject to change without notice * This document is the property of Havi Engineering India Pvt. Ltd. No exploitation or release of any text contained herein or relating to this document is permitted without the written consent of HAVI.			
				REV NO: 00			
				SCALE: NTS			