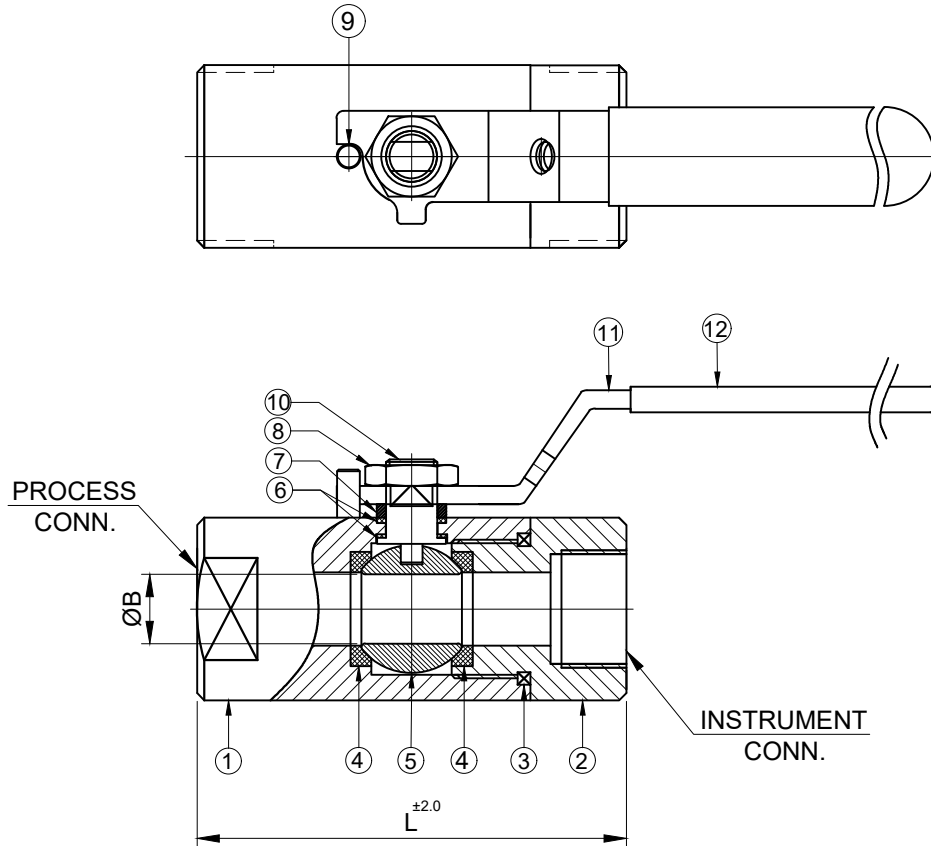



PART CODE	PROCESS CONN.	INSTRUMENT CONN.	ØB	L
LBV-4F-4F-S6	1/4" NPT-F	1/4" NPT-F	6.5	62

Sr No	PART	MATERIAL	QTY
1	BODY	ASTM A479 Gr.SS316	1
2	END CONNECTOR	ASTM A479 Gr.SS316	1
3	CONN. PACKING	PTFE	1
4	BALL SEAT	PTFE	2
5	BALL	ASTM A479 Gr.SS316	1
6	STEM SEAL	PTFE	2
7	SPACER	ASTM A479 Gr.SS316	1
8	HANDLE NUT	ASTM A479 Gr.SS316	1
9	DOWEL PIN	SS304	1
10	STEM	ASTM A479 Gr.SS316	1
11	HANDLE	SS304	1
12	HANDLE SLEEVE	PVC	1



M W P.: 1500psig @ 100 °F
 Seat Test Press (Hydro): 1650 psig
 Seat Test Press (Pneu): 90 psig
 Body Test Press (Hydro): 2250 psig
 Testing As Per API-598
 Temperature Range:- -50°C to 200°C


Fittings & Valves
 info@havi.in www.havi.in
 A-201, PRIME TRADE CENTER
 SATIVALI ROAD, VASAI (E),
 PALGHAR - 401208, MAHARASHTRA, INDIA

	SIGN	DATE
DRAWN BY	SB	06.08.2022
CHECKED BY	VK	06.08.2022
APPROVED BY	SM	06.08.2022

PART NAME : LOW PRESSURE BALL VALVE 1/4" NPT-F X 1/4" NPT-F		CUSTOMER NAME:-	
DWG NO : - LBV-4F-4F-S6		PROJECT NAME:-	
MATERIAL :- SS316		END USER NAME :-	
		ENQ NO: EN2223/00492	
		SO NO: -	
		SHEET NO: 01 OF 01	
		REV NO: 00	
		SCALE: NTS	

* All dimensions are in mm. Dimensions for reference only and are subject to change without notice
 * This document is the property of Havi Engineering India Pvt. Ltd. No exploitation or release of any text contained herein or relating to this document is permitted in any form without the written consent of HAVI.

PATH: G:\2022-2023\EXPORT\EN222300492\GAD