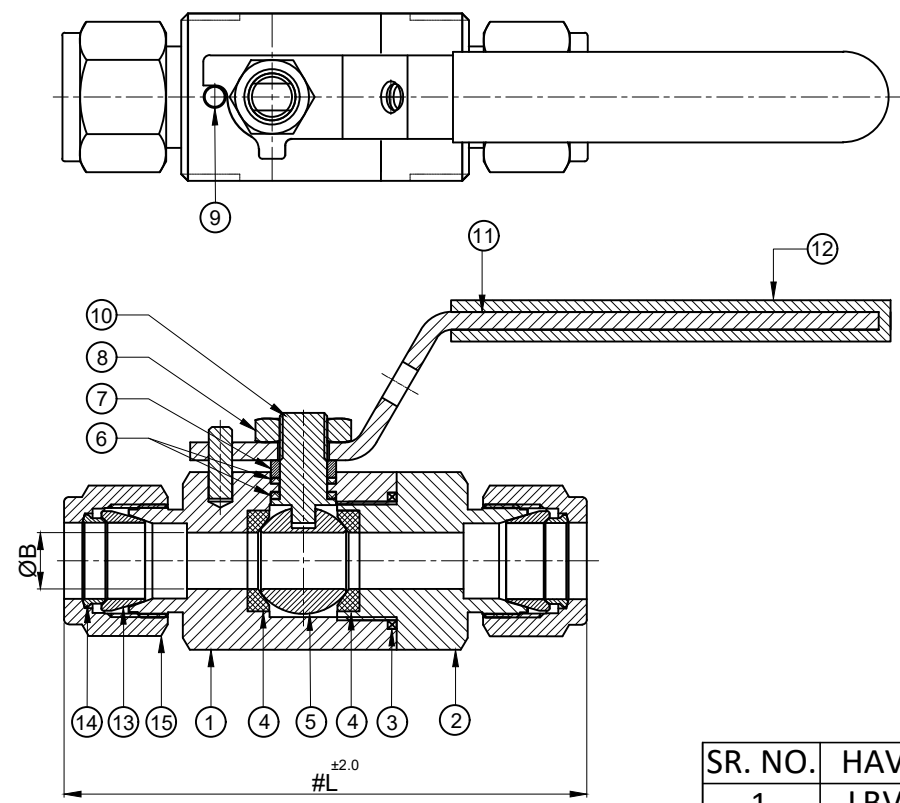


Sr No	PART	MATERIAL	QTY
1	BODY	ASTM A479 Gr.SS316	1
2	END CONNECTOR	ASTM A479 Gr.SS316	1
3	CONNECTOR PACKING	PTFE	1
4	BALL SEAT	PTFE	2
5	BALL	ASTM A479 Gr.SS316	1
6	STEM SEAL	PTFE	2
7	SPACER	ASTM A479 Gr.SS316	1
8	HANDLE NUT	ASTM A479 Gr.SS316	1
9	DOWEL PIN	SS304	1
10	STEM	ASTM A479 Gr.SS316	1
11	HANDLE	SS304	1
12	HANDLE SLEEVE	PVC	1
13	FRONT FERRULE	ASTM A479 Gr.SS316	2
14	BACK FERRULE	ASTM A479 Gr.SS316	2
15	NUT	ASTM A479 Gr.SS316	2



SR. NO.	HAVI PART NO.	INLET	OUTLET	ØB	L
1	LBV-4T-4T-S6	1/4" ODT	1/4" ODT	4.7	81
2	LBV-8T-8T-S6	1/2" ODT	1/2" ODT	9.5	94
3	LBV-12T-12T-S6	3/4" ODT	3/4" ODT	12.7	108.5

PART NAME :LOW PRESSURE BALL VALVE ODT X ODT

DWG NO :- GA-LBV-S6

MATERIAL :- SS316

CUSTOMER NAME:-

PROJECT NAME:-

END USER:-

ENQ NO:EN2223/00080

SO NO: -

DRAWN BY	SIGN	DATE	REV NO	DESCRIPTION	SIGN	DATE
SB		22.04.2022				
VK		22.04.2022				
SM		22.04.2022				

\* All dimensions are in mm. Dimensions for reference only and are subject to change without notice

\* This document is the property of Havi Engineering India Pvt. Ltd. No exploitation or release of any text contained herein or relating to this document is permitted in any form without the written consent of HAVI.

PATH:-Z:\2022-2023\EXPORT\EN222300080\GAD

NOTE:  
 • # MARKED DIMENSION IS IN FINGER TIGHT POSITION.  
 • UNLESS SPECIFIED ALL DIMENSIONS ARE IN 'mm'