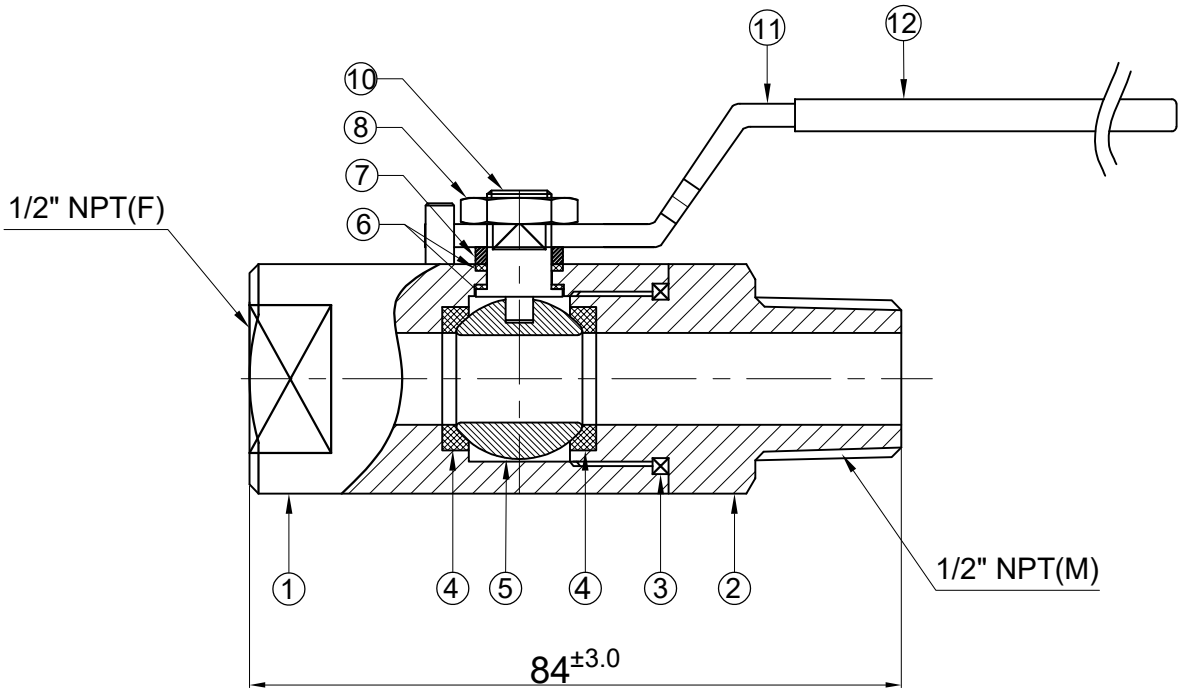
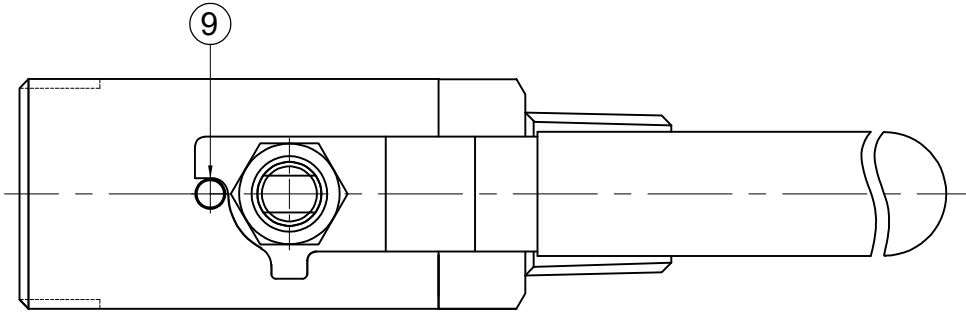


SR NO	QTY
05	17



Sr No	PART	MATERIAL	QTY
1	BODY	ASTM A479 Gr. SS316	1
2	END CONNECTOR	ASTM A479 Gr. SS316	1
3	CONNECTOR PACKING	PTFE	1
4	BALL SEAT	RPTFE	2
5	BALL	ASTM A479 Gr. SS316	1
6	STEM SEAL	PTFE	2
7	SPACER	ASTM A479 Gr. SS316	1
8	HANDLE NUT	SS304	1
9	DOWEL PIN	SS304	1
10	STEM	ASTM A479 Gr. SS316	1
11	HANDLE	SS304	1
12	HANDLE SLEEVE	PVC	1

Data Sheet.

Process Conn.: 1/2" NPT(F)
 Instrument Conn.: 1/2" NPT(M)
 Bore.: Ø9.5mm

M W P.: 1500psig @ 100 °F
 Seat Test Press (Hydro): 2250 psig
 Seat Test Press (Pneu): 90 psig
 Body Test Press (Hydro): 1650 psig

NOTE :- UNLESS SPECIFIED ALL DIMENSIONS ARE IN 'mm'



PART NAME : LOW PRESSURE BALL VALVE
 1/2" NPTF X 1/2" NPTM

DWG NO : - LBV-8F-8M-S6-Q2
 MATERIAL :- AS PER BOM

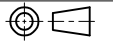
CUSTOMER NAME :-

END USER NAME :-

PROJECT NAME :-

ENQ NO:- EN2324/00936

SO NO: -



SHEET NO:
01 OF 01

REV NO: 00

SCALE: NTS

	SIGN	DATE
DRAWN BY	BKR	23-01-2024
CHECKED BY	MBC	23-01-2024
APPROVED BY	SRD	23-01-2024

REV NO	DESCRIPTION	SIGN	DATE

* All dimensions are in mm. Dimensions for reference only and are subject to change without notice
 * This document is the property of Havi Engineering India Pvt. Ltd. No exploitation or release of any text contained herein or relating to this document is permitted in any form without the written consent of HAVI.

PATH:-N:\2023-2024\EXPORT\EN232400936