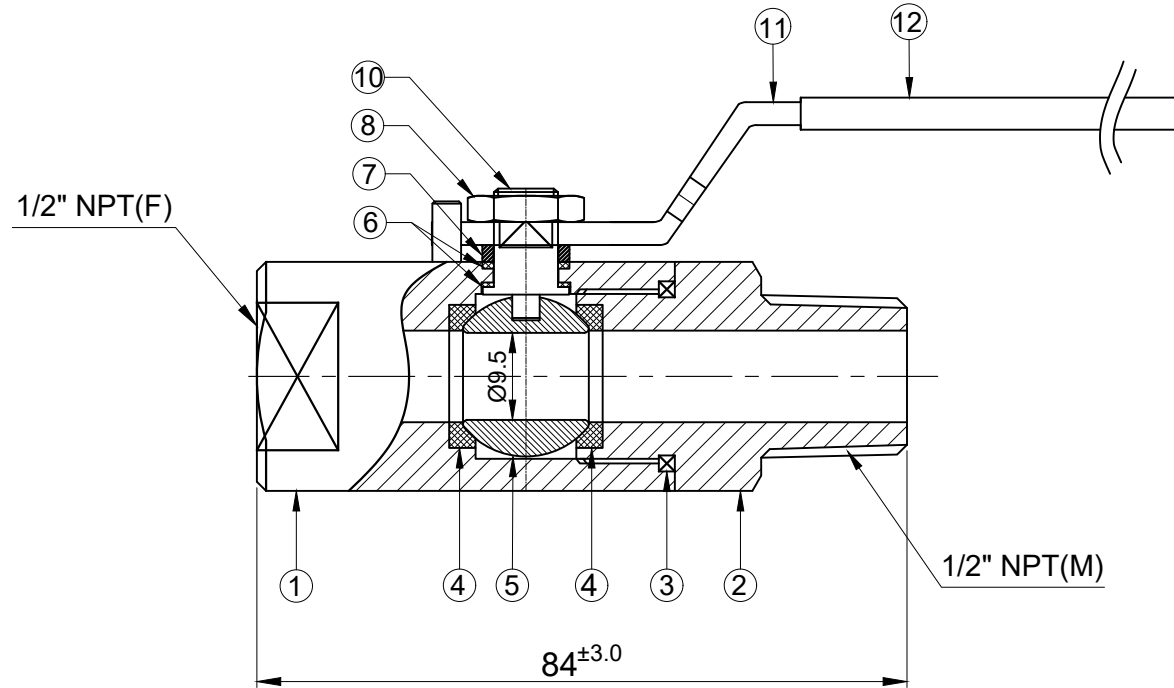
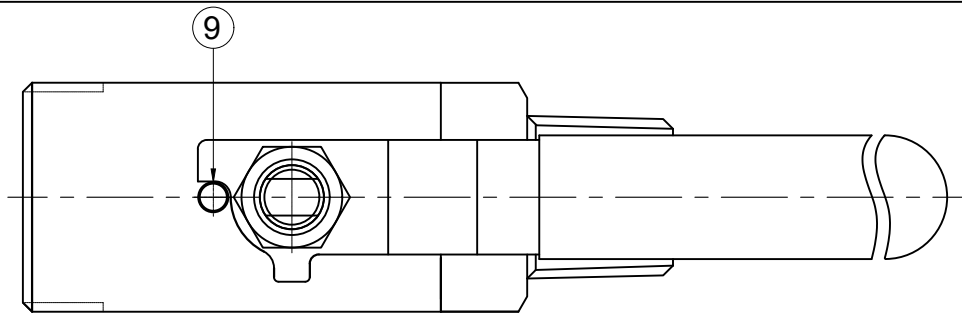


SR No.	Qty
09	24


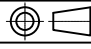


Sr No	PART	MATERIAL	QTY
1	BODY	ASTM A479 Gr. SS316	1
2	END CONNECTOR	ASTM A479 Gr. SS316	1
3	CONNECTOR PACKING	PTFE	1
4	BALL SEAT	PTFE/ RPTFE	2
5	BALL	ASTM A479 Gr. SS316	1
6	STEM SEAL	PTFE	2
7	SPACER	ASTM A479 Gr. SS316	1
8	HANDLE NUT	SS304	1
9	DOWEL PIN	SS304	1
10	STEM	ASTM A479 Gr. SS316	1
11	HANDLE	SS304	1
12	HANDLE SLEEVE	PVC	1

TECHNICAL DETAILS:

- Process Side: 1/2" NPT-F
- Instrument Side: 1/2" NPT-M
- Bore : Ø9.5mm
- M.W.P.:1500 psig @ 100 °F
- M.W.T.: -54°C To +260°C
- Body Test Press (Hydro): 2250 psig
- Seat Test Press (Hydro): 1650 psig
- Seat Test Press (Pneu): 90 psig

NOTE :- UNLESS SPECIFIED ALL DIMENSIONS ARE IN 'mm'

 <p>havi Fittings & Valves info@havi.in www.havi.in A-201, PRIME TRADE CENTER SATIVALI ROAD, VASAI (E), PALGHAR - 401208, MAHARASHTRA, INDIA</p>	PART NAME : Low Pressure Ball Valve 1/2" NPT-F x 1/2" NPT-M		CUSTOMER NAME:- VSP	
	DWG NO : - LBV-8F-8M-S6		PROJECT NAME:-	
	MATERIAL : - AS PER BOM		PO NO:	
			ENQ NO: EN2324/01409	
		SO NO:		 SHEET NO: 08 OF 08
				REV NO: 00
				SCALE: NTS