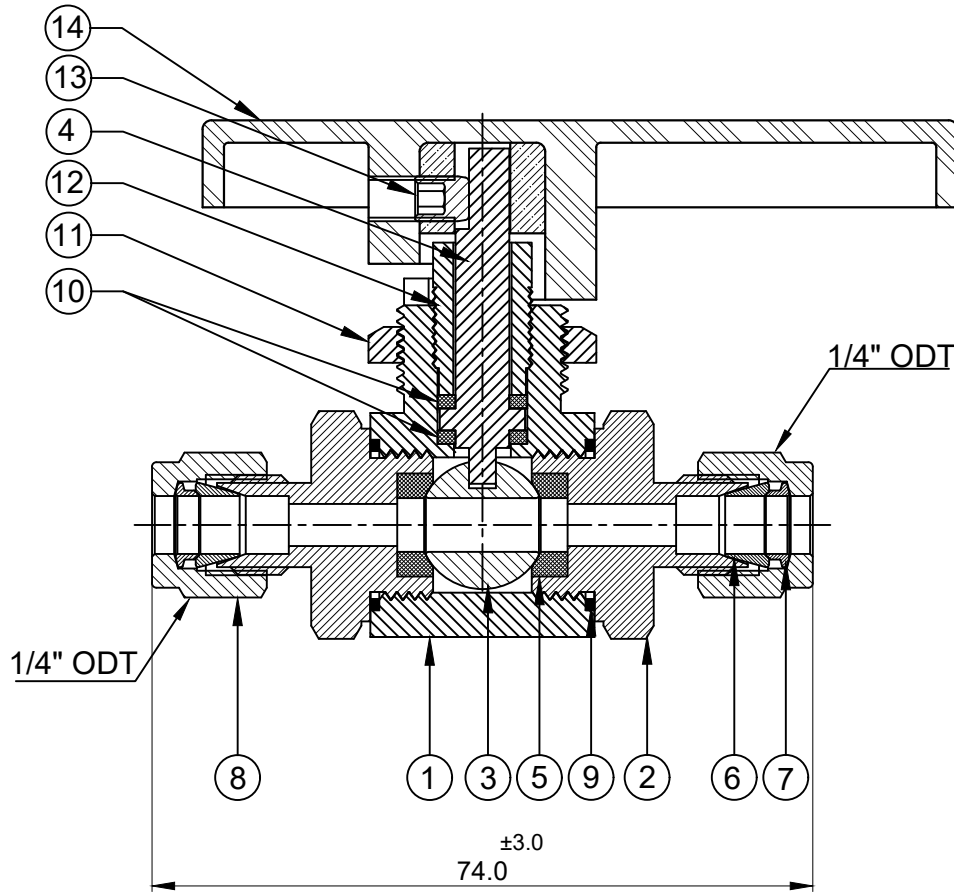


SR NO	PART NO	QTY
03	LPBV-4T-4T-S6	08



Sr No	PART	MATERIAL	QTY
1	BODY	ASTM A479 Gr.SS 316	1
2	END CONNECTOR	ASTM A479 Gr.SS 316	2
3	BALL	ASTM A479 Gr.SS 316	1
4	STEM	ASTM A479 Gr.SS 316	1
5	SEAT	PTFE	2
6	FRONT FERRULE	ASTM A479 Gr.SS 316	2
7	BACK FERRULE	ASTM A479 Gr.SS 316	2
8	NUT	ASTM A479 Gr.SS 316	2
9	CONNECTOR PACKING	PTFE	2
10	STEM SEAL	PTFE	2
11	CHECK NUT	SS 316	1
12	PUSHER	ASTM A479 Gr.SS 316	1
13	GRUB SCREW	SS 316	2
14	HANDLE	NYLON	1

**Data Sheet.**

Process Conn.: 1/4" ODT  
 Instrument Conn.: 1/4" ODT  
 Bore.: Ø4.7mm

M W P.: 1500psig @ 100 °F  
 Seat Test Press (Hydro): 1650 psig  
 Seat Test Press (Pneu): 90 psig  
 Body Test Press (Hydro): 2250 psig

Materials.: AS PER BOM

**havi**  
 Fittings & Valves  
 info@havi.in www.havi.in  
 A-201, PRIME TRADE CENTER  
 SATIVALI ROAD, VASAI (E),  
 PALGHAR - 401208, MAHARASHTRA, INDIA

	SIGN	DATE
DRAWN BY	PG	01-07-2023
CHECKED BY	MT	01-07-2023
APPROVED BY	SRD	01-07-2023

PART NAME : Low Pressure Ball Valve with Panel Mounting 1/4" ODT X 1/4" ODT		CUSTOMER NAME: vsp	
DWG NO : - LPBV-4T-4T-S6		PROJECT NAME & NO:	
MATERIAL :- AS PER BOM		ENQ NO:-	
REV NO	DESCRIPTION	SIGN	DATE
SO NO: SO2223/00474		SHEET NO: 01 OF 01	
* All dimensions are in mm. Dimensions for reference only and are subject to change without notice		REV NO: 00	
* This document is the property of Havi Engineering India Pvt. Ltd. No exploitation or release of any text contained herein or relating to this document is permitted in any form without the written consent of HAVI.		SCALE: NTS	