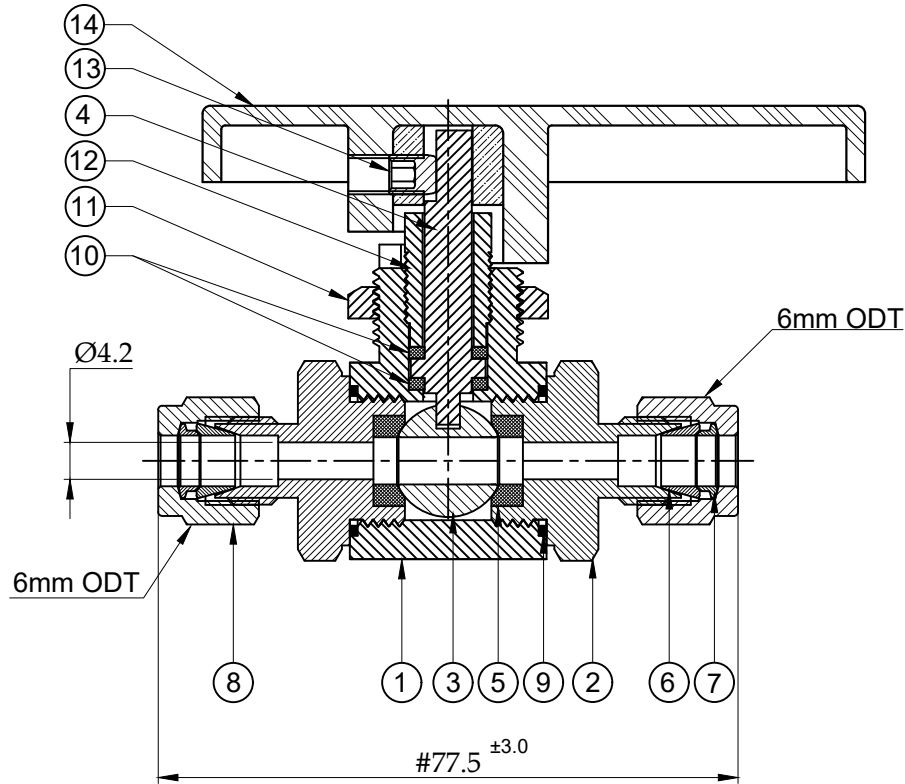


SR NO	QTY
27	03

Sr No	PART	MATERIAL	QTY
1	BODY	ASTM A479 Gr. SS316L	1
2	END CONNECTOR	ASTM A479 Gr. SS316L	2
3	BALL	ASTM A479 Gr. SS316L	1
4	STEM	ASTM A479 Gr. SS316L	1
5	SEAT	PTFE	2
6	FRONT FERRULE	SS 316L	2
7	BACK FERRULE	SS 316L	2
8	NUT	SS 316L	2
9	CONNECTOR PACKING	PTFE	2
10	STEM SEAL	PTFE	2
11	CHECK NUT	SS 304	1
12	PUSHER	ASTM A479 Gr.SS316L	1
13	GRUB SCREW	SS 304	2
14	HANDLE	PLASTIC	1



TECHNICAL DETAILS:

Process Conn.: 6mm ODT
 Instrument Conn.: 6mm ODT
 Bore.: Ø4.2mm
 M.W.T.: -54°C To +260°C
 M W P.: 3000psig @ 100 °F
 Seat Test Press (Hydro): 3300 psig
 Seat Test Press (Pneu): 90 psig
 Body Test Press (Hydro): 4500 psig

GENERAL NOTES

- 1) All dimension are in mm, unless otherwise specified.
- 2) # Marked dimensions is in finger tight position

PART NAME : LOW PRESSURE BALL VALVE WITH PANEL MOUNTING 6MM ODT X 6MM ODT IN SS 316		CUSTOMER NAME: VSP	
DWG NO : - LPBV-6MT-6MT-S6-3K		PROJECT NAME & NO:	
MATERIAL : - AS PER BOM		ENQ NO:- EN2324/00554	
REV NO		SIGN	
DESCRIPTION		DATE	
SO NO:SO2324/00333		SHEET NO: 13 OF 14	
* All dimensions are in mm. Dimensions for reference only and are subject to change without notice		REV NO: 00	
* This document is the property of Havi Engineering India Pvt. Ltd. No exploitation or release of any text contained herein or relating to this document is permitted in any form without the written consent of HAVI.		SCALE: NTS	

	SIGN	DATE
DRAWN BY	BKR	14-12-2023
CHECKED BY	PDG	14-12-2023
APPROVED BY	SRD	14-12-2023

havi
Fittings & Valves
www.havi.in
info@havi.in