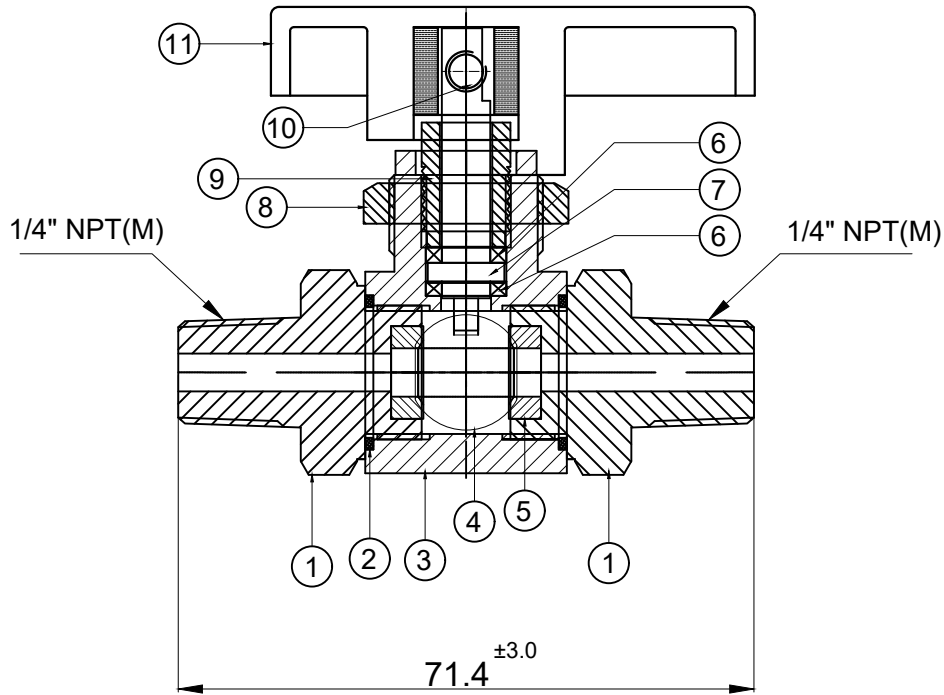


SR NO	QTY
21	06



Sr No	PART	Material	Qty
1	Side Connector	ASTM A 479 Gr. SS 316	2
2	Connector Packing	PTFE	2
3	Body	ASTM A 479 Gr. SS 316	1
4	Ball	ASTM A 479 Gr. SS 316	1
5	Seat	PEEK	2
6	Steam Seal	PTFE	2
7	Spindle	ASTM A 479 Gr. SS 316	1
8	Check Nut	SS 316	1
9	Pusher	ASTM A 479 Gr. SS 316	1
10	Grub Screw	SS 316	2
11	Handle	PVC	1

1/4" Pannel Mounted MBV
Max Pressure Rating: 6000 psig @ 100° F

End Connection: 1/4" NPT-M

Testing : As per API 598
Body Test Press (Hydro): 9000 psig
Seat Test Press (Hydro): 6600 psig
Seat Test Press (Pneu): 90 psig

PART NAME : Assly for Medium Pressure Panel Mounted Ball Valve Size:-1/4"NPT (M)				CUSTOMER NAME:-			
DWG NO : MBV-4M-4M-S6				PMC:-			
MATERIAL : SS 316				END USER NAME:			
DRAWN BY: MBC				SIGN:		DATE:	
CHECKED BY: MT				SIGN:		DATE:	
APPROVED BY: SRD				SIGN:		DATE:	
REV NO				DESCRIPTION		SIGN	
REV NO: 01				DESCRIPTION:		SCALE: NTS	
SHEET NO: 01 OF 01				* All dimensions are in mm. Dimensions for reference only and are subject to change without notice			
SCALE: NTS				* This document is the property of Havi Engineering India Pvt. Ltd. No exploitation or release of any text contained herein or relating to this document is permitted in any form without the written consent of HAVI.			

DRAWN BY	SIGN	DATE
MBC		09-05-2023
MT		09-05-2023
SRD		09-05-2023



PATH: -J:\2023-2024\EXPORT\EN224002023\EN23400023R0