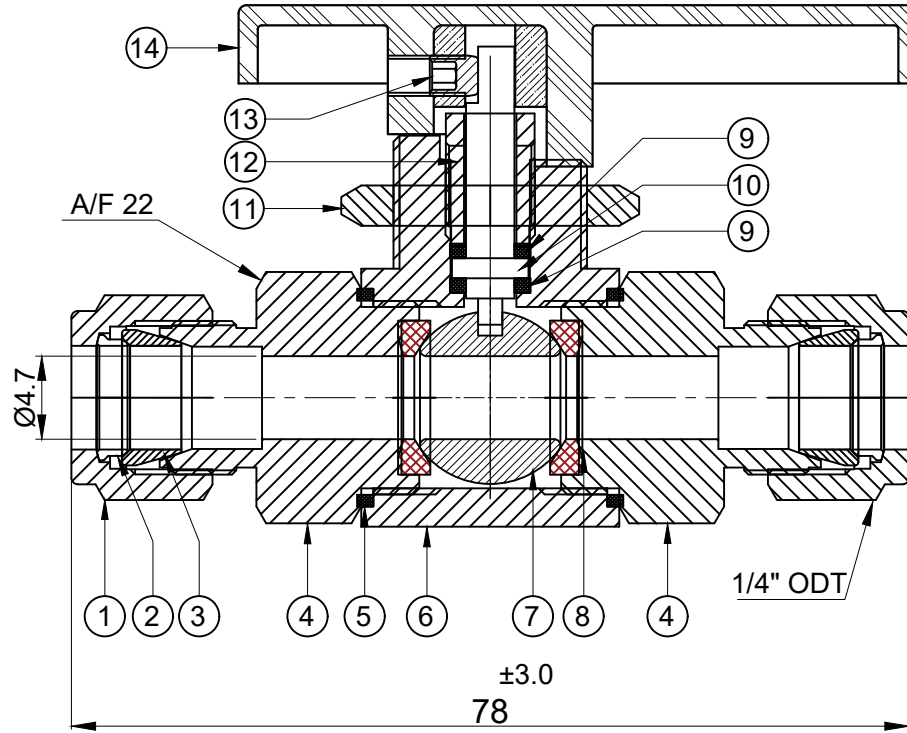


SR NO	QTY
16	02



Sr No	PART	Material	Qty
1	Nut	SS 316	2
2	Back Ferrule	SS 316	2
3	Front Ferrule	SS 316	2
4	Side Connector	ASTM A 479 Gr. SS 316	2
5	Connector Packing	PTFE	2
6	Body	ASTM A 479 Gr. SS 316	1
7	Ball	ASTM A 479 Gr. SS 316	1
8	Seat	PCTFE	2
9	Steam Seal	PTFE	2
10	Spindle	ASTM A 479 Gr. SS 316	1
11	Check Nut	SS 316	1
12	Pusher	ASTM A 479 Gr. SS 316	1
13	Grub Screw	SS 316	2
14	Handle	PVC	1

1/4" Panel Mounted MBV  
Max Pressure Rating: 6000 psig @ 100° F

End Connection: 1/4" ODT Connection with Double Ferrule

Testing : As per API 598  
Body Test Press (Hydro): 9000 psig  
Seat Test Press (Hydro): 6600 psig  
Seat Test Press (Pneu): 90 psig

	SIGN	DATE
DRAWN BY	MBC	08-05-2023
CHECKED BY	VM	08-05-2023
APPROVED BY	SRD	08-05-2023



www.havi.in  
info@havi.in

PART NAME : Assly for Medium Pressure Panel Mounted Ball Valve Size:-1/4" ODT				CUSTOMER NAME:-	
DWG NO : MBV-4T-4T-S6-PCTFE				PROJECT NAME:-	
MATERIAL : SS 316				END USER NAME:-	
REV NO				PO NO :	
DESCRIPTION				ENQ NO : EN2324/00023	
SIGN				SO NO :	
DATE				SHEET NO: 01 OF 01	
* All dimensions are in mm. Dimensions for reference only and are subject to change without notice				REV NO: 00	
* This document is the property of Havi Engineering India Pvt. Ltd. No exploitation or release of any text contained herein or relating to this document is permitted in any form without the written consent of HAVI.				SCALE: NTS	