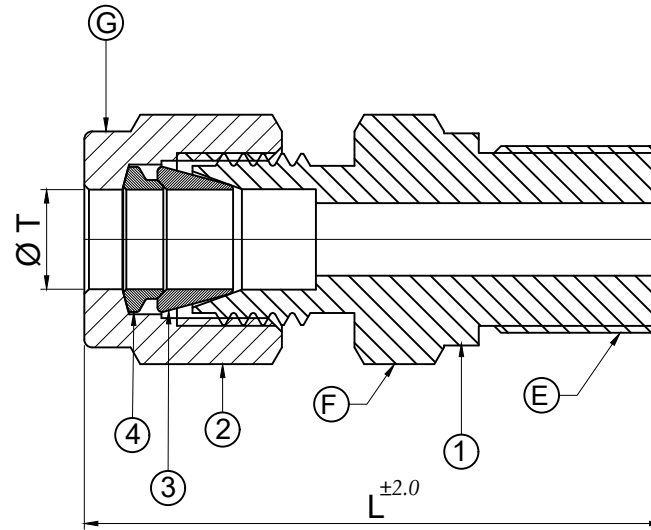


SR NO	DESCRIPTION	QTY	MATERIAL
1	BODY	1	SS 316
2	NUT	1	SS 316
3	FRONT FERRULE	1	SS 316
4	BACK FERRULE	1	SS 316



Sr No	MODEL NO.	ØT	L	F	E	G
01	10MMC8IT-S6	10mm	46	22 (7/8")	1/2"BSPT	19
02	14MMC8IT-S6	14mm	50	25	1"BSPT	25

PART NAME : MALE CONNECTOR ODT X BSPT (M)				CUSTOMER NAME:			
DWG NO : GA-MMC-S6				PROJECT NAME & NO:			
MATERIAL : SS 316				ENQ NO:-			
DRAWN BY : PG				SHEET NO: 01 OF 01			
CHECKED BY : MC				SO NO: -			
APPROVED BY : SRD				PO NO: -14041771			
REV NO	DESCRIPTION	SIGN	DATE	* All dimensions are in mm. Dimensions for reference only and are subject to change without notice			
				* This document is the property of Havi Engineering India Pvt. Ltd. No exploitation or release of any text contained herein or relating to this document is permitted in any form without the written consent of HAVI.			
				REV NO: 00			
				SCALE: NTS			

	SIGN	DATE
DRAWN BY	PG	27-03-2023
CHECKED BY	MC	27-03-2023
APPROVED BY	SRD	27-03-2023



NOTE:

- # MARKED DIMENSION IS IN FINGER TIGHT POSITION.
- NPT THREAD AS PER ANSI B 1.20.1.

PATH: C:\USERS\DESIGN\3\DESKTOP\MANGESH\PO NO:14041771