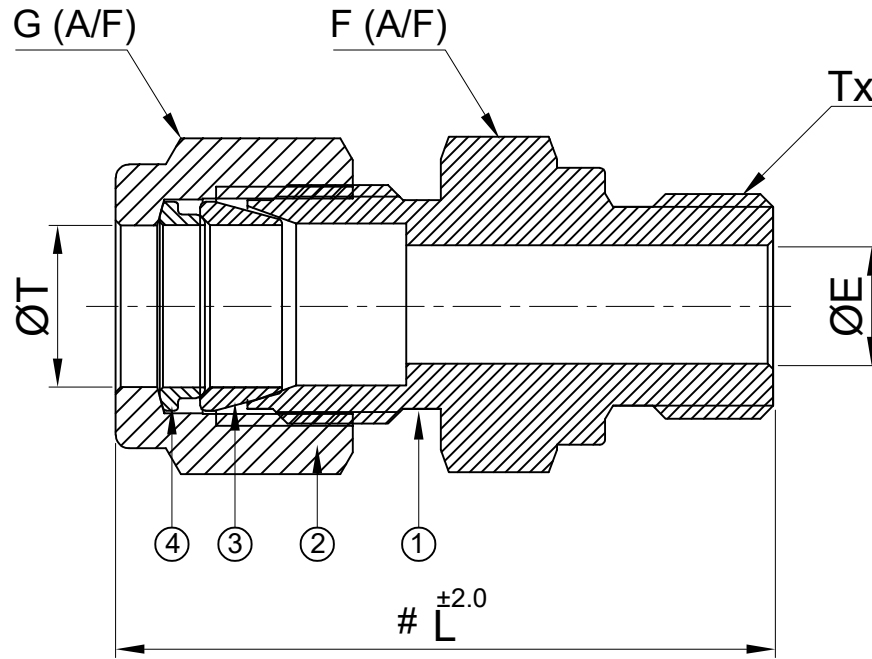


SR NO	DESCRIPTION	QTY	MATERIAL
1	BODY	1	SS 316
2	NUT	1	SS 316
3	FRONT FERRULE	1	SS 316
4	BACK FERRULE	1	SS 316



SR NO	PART NO	ØT	Tx	L	F (A/F)	G (A/F)	ØE
1	12MMC4IPS-S6	12mm	1/4" BSPP-M	43.5	22.0	22.0	5.8
2	12MMC8IPS-S6	12mm	1/2" BSPP-M	47.5	27.0	22.0	9.5

PART NAME : MALE CONNECTOR - TUBE OD x BSPP Male Threading; Form A				CUSTOMER NAME:-			
DWG NO : GA-MCIPS-S6				PROJECT NAME:-			
MATERIAL : SS 316				PO NO:-			
ENQ NO: EN2223/00776				SHEET NO: 01 OF 01			
SO NO: -				REV NO: 00			
SCALE: NTS							

	SIGN	DATE
DRAWN BY	VK	30.09.2022
CHECKED BY	SB	30.09.2022
APPROVED BY	SM	30.09.2022

www.havi.in
 info@havi.in
 Filling & Valves

NOTE:
 • # MARKED DIMENSION IS IN FINGER TIGHT POSITION.
 • NPT THREAD AS PER ANSI B 1.20.1.

PATH: -X:\2022-2023\EXPORTEN\22230076