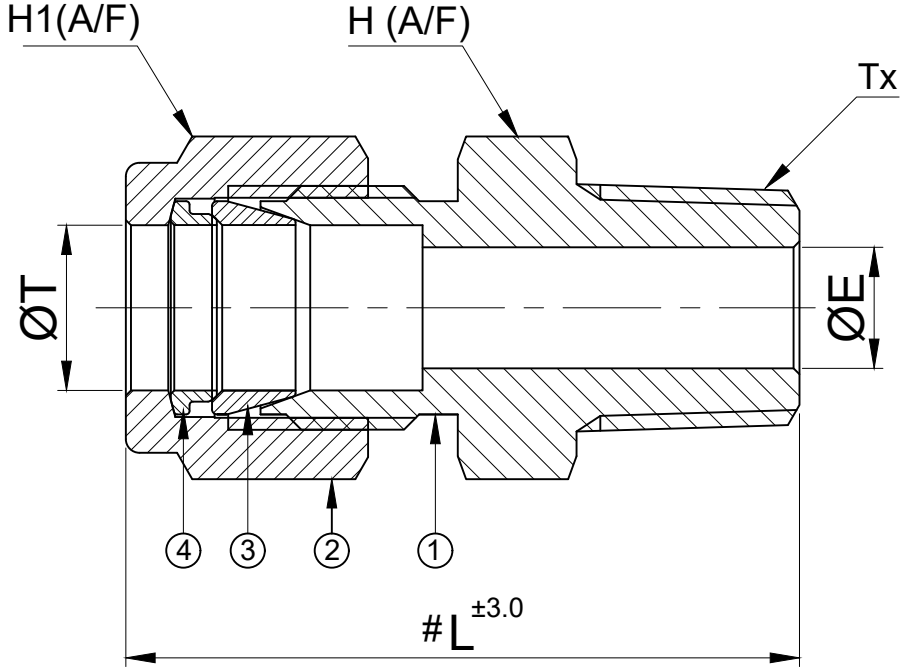


SR NO	QTY
01	15
02	06
03	05
04	06

SR NO	PART NO	T	Tx	L	H (A/F)	H1(A/F)	ØE
01	2MC2N-S6	1/8"	1/8" NPT-M	31.5	11.0(7/16")	11.0(7/16")	2.0
02	4MC2N-S6	1/4"	1/8" NPT-M	33.0	14.0(9/16")	14.0(9/16")	4.7
03	2MC4N-S6	1/8"	1/4" NPT-M	37.0	14.0(9/16")	11.0(7/16")	2.0
04	4MC4N-S6	1/4"	1/4" NPT-M	37.5	14.0(9/16")	14.0(9/16")	4.7



SR NO	DESCRIPTION	QTY	MATERIAL
1	BODY	1	SS 316
2	NUT	1	SS 316
3	FRONT FERRULE	1	SS 316
4	BACK FERRULE	1	SS 316

NOTE:-

# MARKED DIMENSION IS IN FINGER TIGHT POSITION.

- NPT THREAD AS PER ANSI B 1.20.1.
- UNLESS & OTHERWISE SPECIFIED ALL DIMENSIONS ARE IN 'mm'

PART NAME : MALE CONNECTOR - TUBE OD x NPT-M				CUSTOMER NAME:			
DWG NO : GA-MC-S6				PROJECT NAME:-			
MATERIAL : SS 316				PO NO:			
				ENQ NO : EN2324/00023			
				SHEET NO: 01 OF 01			
REV NO		DESCRIPTION		SIGN		DATE	
SO NO:							
<p>* All dimensions are in mm. Dimensions for reference only and are subject to change without notice          * This document is the property of Havi Engineering India Pvt. Ltd. No exploitation or release of any text contained herein or relating to this document is permitted in any form without the written consent of HAVI.</p>							
				REV NO: 00			
				SCALE: NTS			

	SIGN	DATE
DRAWN BY	PG	08-05-2023
CHECKED BY	VM	08-05-2023
APPROVED BY	SRD	08-05-2023



www.havi.in  
info@havi.in

PATH:-J:\2023-2024\EXPORT\EN232400023\EN232400023R0