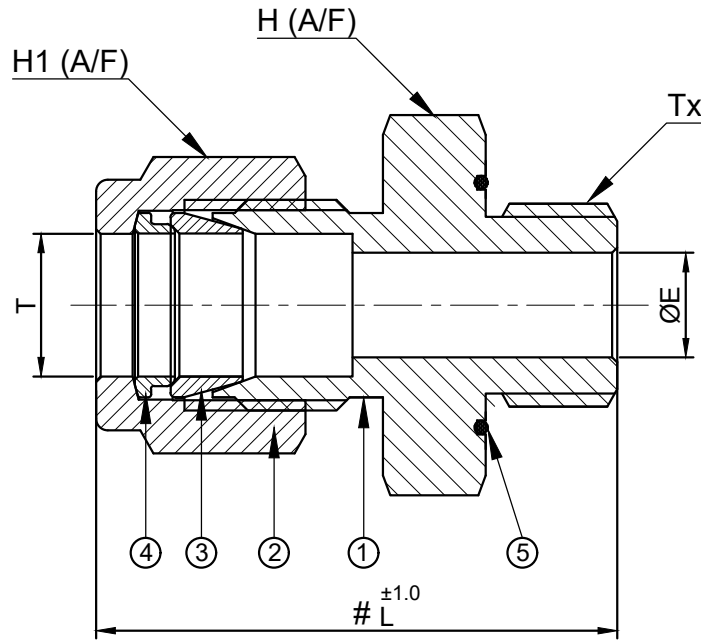


SR NO	DESCRIPTION	QTY	MATERIAL
1	BODY	1	SS316
2	NUT	1	SS316
3	FRONT FERRULE	1	SS316
4	BACK FERRULE	1	SS316
5	O-RING	1	VITON



SR NO	PART NO	T	Tx	L	H1 (A/F)	H (A/F)	ØE
37	6MMC4N-OR-S6	6mm	1/4" NPT	38.5	14.0	24.0	4.7
38	10MMC8N-OR-S6	10mm	1/2" NPT	47.0	19.0	36.0	7.1



PART NAME : MALE CONNECTOR- TUBE OD X NPT THREAD WITH O-RING				CUSTOMER NAME:											
DWG NO - XMMCXN-OR-S6				PROJECT NAME & NO:											
MATERIAL : SS 316				ENQ NO:- EN2223/00089											
DRAWN BY: VK, 10.06.2022				SHEET NO: 01 OF 01											
CHECKED BY: RW, 10.06.2022				SO NO: -											
APPROVED BY: SM, 10.06.2022				REV NO: 01											
<table border="1"> <thead> <tr> <th>REV NO</th> <th>DESCRIPTION</th> <th>SIGN</th> <th>DATE</th> </tr> </thead> <tbody> <tr> <td>1</td> <td>Hex Size Change</td> <td>SAA</td> <td>12.08.2022</td> </tr> </tbody> </table>				REV NO	DESCRIPTION	SIGN	DATE	1	Hex Size Change	SAA	12.08.2022				
REV NO	DESCRIPTION	SIGN	DATE												
1	Hex Size Change	SAA	12.08.2022												
				* All dimensions are in mm. Dimensions for reference only and are subject to change without notice * This document is the property of Havi Engineering India Pvt. Ltd. No exploitation or release of any text contained herein or relating to this document is permitted in any form without the written consent of HAVI.											
				SCALE: NTS											

- NOTE:
- # MARKED DIMENSION IS IN FINGER TIGHT POSITION.
 - NPT THREAD AS PER ANSI B 1.20.1.

PATH:-F:\FY 2022-23\SC-0145