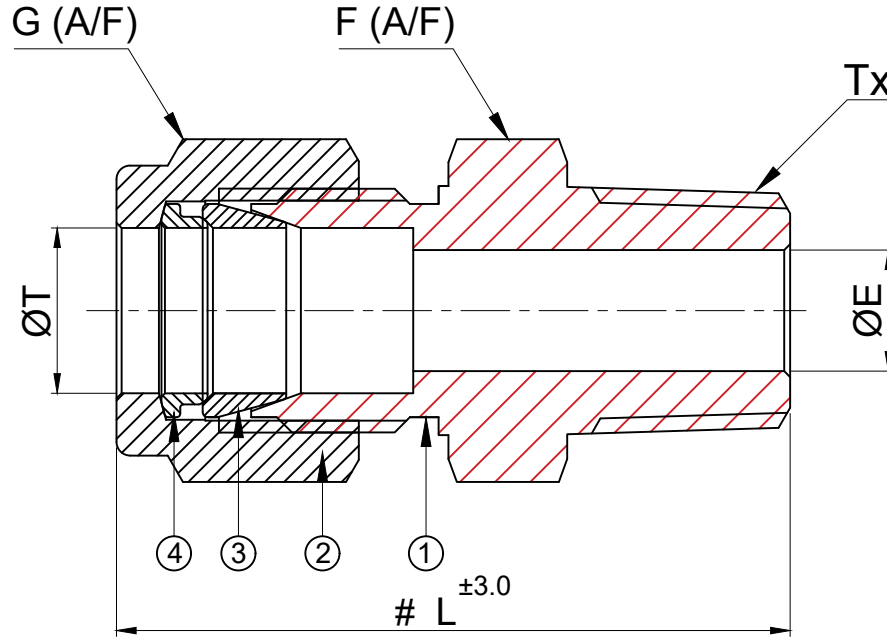


SR NO	DESCRIPTION	QTY	MATERIAL
1	BODY	1	SS 316
2	NUT	1	SS 316
3	FRONT FERRULE	1	SS 316
4	BACK FERRULE	1	SS 316



PART NO	ØT	Tx	L	F (A/F)	G (A/F)	ØE
14MMC8N-S6	14mm	1/2" NPT-M	50.0	25.0/ (1")	25.0/ (1")	11.1
12MMC8N-S6	12mm	1/2" NPT-M	50.0	22.0(7/8")	22.0(7/8")	9.5
12MMC4N-S6	12mm	1/4" NPT-M	44.0	22.0(7/8")	22.0(7/8")	7.1
6MMC8N-S6	6mm	1/2" NPT-M	45.0	22.0(7/8")	14.0(9/16")	4.2

NOTE:
 • # MARKED DIMENSION IS IN FINGER TIGHT POSITION.
 • THREAD AS PER ASME B1.1.

	SIGN	DATE
DRAWN BY	PG	15.05.2023
CHECKED BY	MC	15.05.2023
APPROVED BY	SRD	15.05.2023



www.havi.in
info@havi.in

PART NAME : MALE CONNECTOR - TUBE OD x Male Threading				CUSTOMER NAME:-			
DWG NO : GA-MC-S6				PROJECT NAME:-			
MATERIAL : AS PER BOM				PO NO:-			
				ENQ NO: EN2324/000165			
				SO NO: -			
				SHEET NO: 01 OF 06			
				REV NO: 00			
				SCALE: NTS			

* All dimensions are in mm. Dimensions for reference only and are subject to change without notice
 * This document is the property of Havi Engineering India Pvt. Ltd. No exploitation or release of any text contained herein or relating to this document is permitted in any form without the written consent of HAVI.