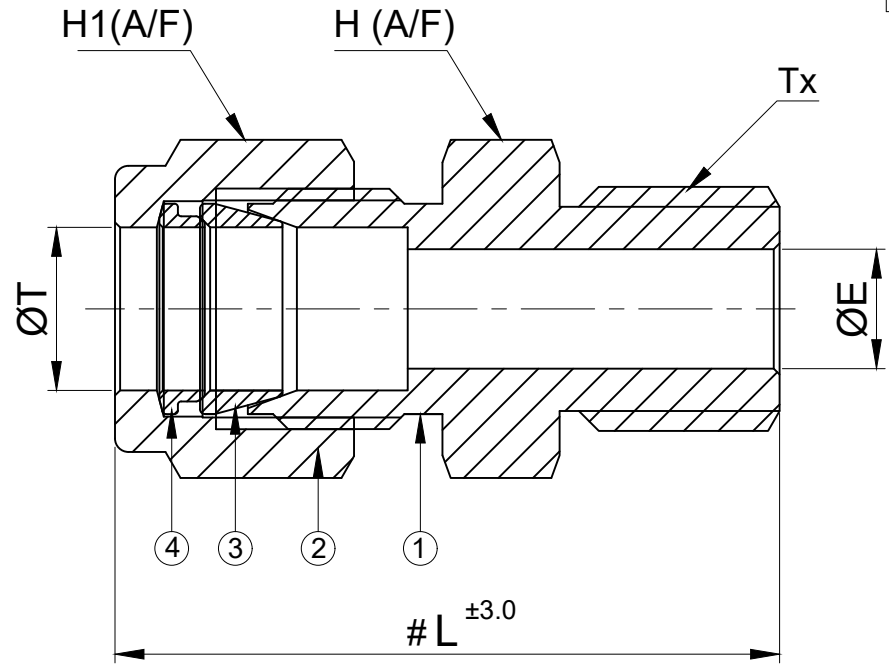



SR NO	DESCRIPTION	QTY	MATERIAL
1	BODY	1	SS 316/L
2	NUT	1	SS 316/L
3	FRONT FERRULE	1	SS 316/L
4	BACK FERRULE	1	SS 316/L



SR NO	PART NO	T	Tx	L	H (A/F)	H1(A/F)	ØE
09	10MMCM20-S6	10MM	M20 x 1.5P	47.0	22.0(7/8")	19.0(3/4")	7.2
16	8MMCM20-S6	8MM	M20 x 1.5P	47.0	22.0(7/8")	16.0(5/8")	6.4

NOTE:-
 # NPT THREAD AS PER ANSI B 1.20.1.
 # MARKED DIMENSION IS IN FINGER TIGHT POSITION.

PART NAME : MALE CONNECTOR - TUBE OD x NPT-M				CUSTOMER NAME:- VSP			
DWG NO : GA-MC-S6				PROJECT NAME:-			
MATERIAL : SS 316/L				PO NO:			
DRAWN BY : PG				ENQ NO:-			
CHECKED BY : VM				SO NO: - SO2324/00108			
APPROVED BY : SRD				SHEET NO: 02 OF 07			
 www.havi.in info@havi.in				* All dimensions are in mm. Dimensions for reference only and are subject to change without notice * This document is the property of Havi Engineering India Pvt. Ltd. No exploitation or release of any text contained herein or relating to this document is permitted in any form without the written consent of HAVI.			
REV NO				REV NO: 00			
DESCRIPTION				SCALE: NTS			
SIGN							
DATE							

PATH: G:\FY 2023-24\ISO-0108\GAD\SUBMITTED GAD\RO