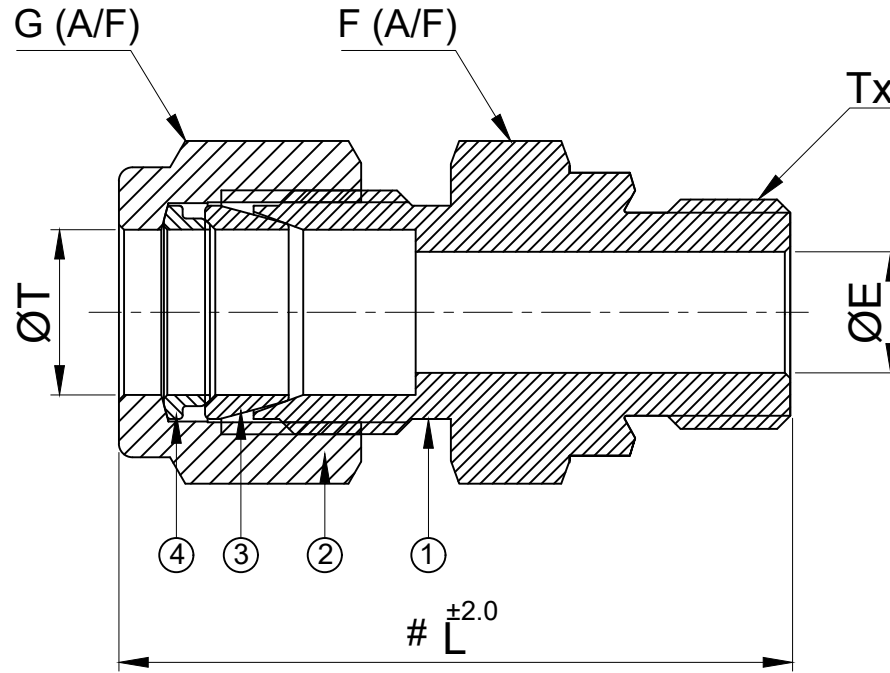



SR NO	DESCRIPTION	QTY	MATERIAL
1	BODY	1	SS 316
2	NUT	1	SS 316
3	FRONT FERRULE	1	SS 316
4	BACK FERRULE	1	SS 316



SR NO	PART NO	ØT	Tx	L	F (A/F)	G (A/F)	ØE
1	14MMC4IPG-S6	14mm	1/4" BSPP-M	43.5	25.0	25.0	5.8
2	14MMC6IPG-S6	14mm	3/8" BSPP-M	45.0	25.0	25.0	9.5
3	10MMC4IPG-S6	10mm	1/4" BSPP-M	39.5	19.0	19.0	5.8
4	8MMC2IPG-S6	8mm	1/8" BSPP-M	33.5	14.0	16.0	4.0

PART NAME : MALE CONNECTOR - TUBE OD x BSPP Male Threading; Form B				CUSTOMER NAME:-			
DWG NO : GA-MCIPG-S6				PROJECT NAME:-			
MATERIAL : SS 316				PO NO:-			
DRAWN BY PG 26.12.2022				ENQ NO: EN2223/00917			
CHECKED BY VK 26.12.2022				SHEET NO: 01 OF 04			
APPROVED BY MT 26.12.2022				SO NO: -			
REV NO	DESCRIPTION	SIGN	DATE	* All dimensions are in mm. Dimensions for reference only and are subject to change without notice			
 www.havi.in info@havi.in				* This document is the property of Havi Engineering India Pvt. Ltd. No exploitation or release of any text contained herein or relating to this document is permitted in any form without the written consent of HAVI.			
				REV NO: 00			
				SCALE: NTS			

NOTE:
 • # MARKED DIMENSION IS IN FINGER TIGHT POSITION.
 • NPT THREAD AS PER ANSI B 1.20.1.

PATH-J:\2022-2023\EXPORT\EN22300917