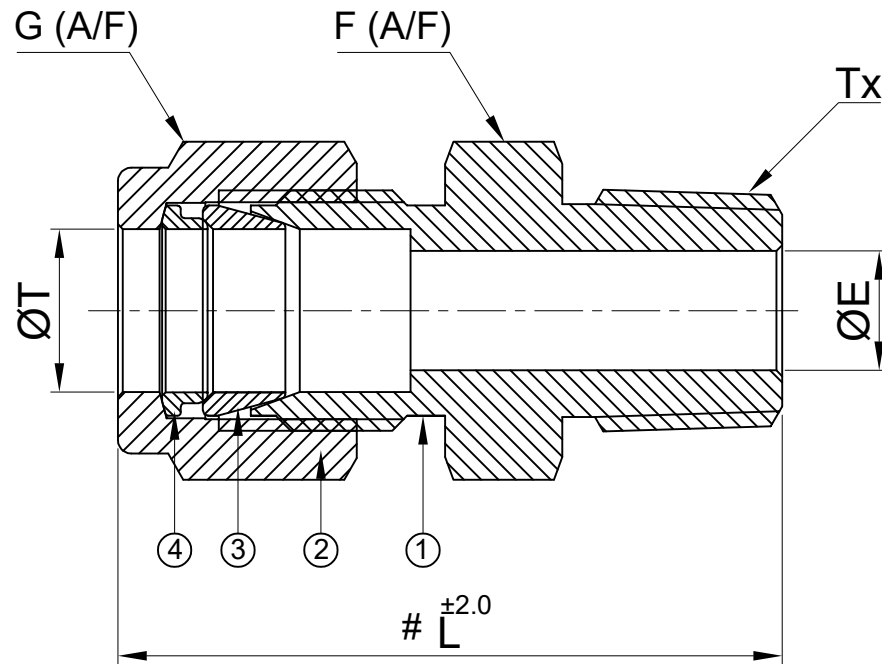


SR NO	DESCRIPTION	QTY	MATERIAL
1	BODY	1	SS 316
2	NUT	1	SS 316
3	FRONT FERRULE	1	SS 316
4	BACK FERRULE	1	SS 316



SR NO	PART NO	ØT	Tx	L	F (A/F)	G (A/F)	ØE	Pressure Rating(psig)
01	8MMC8IT-S6	8mm	1/2" BSPT-M	46.1	22.0	16.0	6.4	6000
02	12MMC8IT-S6	12mm	1/2" BSPT-M	49.2	22.0	22.0	9.5	6000
03	18MMC8IT-S6	18mm	1/2" BSPT-M	51.2	27.0	32.0	11.8	3000

PART NAME : MALE CONNECTOR - TUBE OD x Male Threading				CUSTOMER NAME:-			
DWG NO : GA-MC-S6				PROJECT NAME:-			
MATERIAL : AS PER BOM				PO NO:-			
DRAWN BY : SP				ENQ NO: EN2223/01129			
CHECKED BY : VK				SHEET NO: 01 OF 01			
APPROVED BY : SRD				SO NO: -			
REV NO	DESCRIPTION	SIGN	DATE	SO NO: -			
<p>* All dimensions are in mm. Dimensions for reference only and are subject to change without notice</p> <p>* This document is the property of Havi Engineering India Pvt. Ltd. No exploitation or release of any text contained herein or relating to this document is permitted in any form without the written consent of HAVI.</p>							
							REV NO: 00 SCALE: NTS

NOTE:
• # MARKED DIMENSION IS IN FINGER TIGHT POSITION.