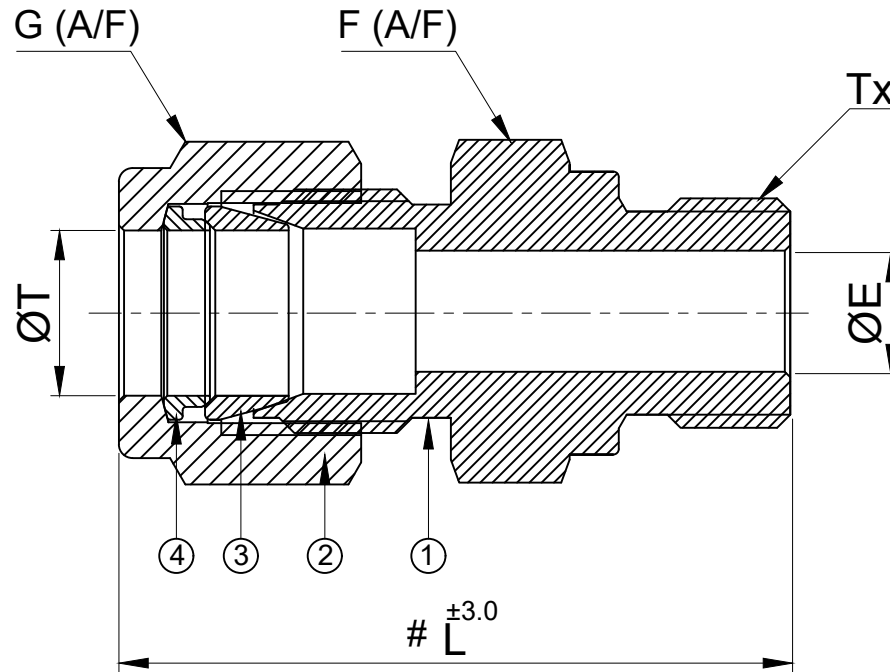



| SR NO | DESCRIPTION | QTY | MATERIAL |
|-------|---------------|-----|----------|
| 1 | BODY | 1 | SS 316 |
| 2 | NUT | 1 | SS 316 |
| 3 | FRONT FERRULE | 1 | SS 316 |
| 4 | BACK FERRULE | 1 | SS 316 |



| PART NO | ØT | Tx | L | F (A/F) | G (A/F) | ØE |
|--------------|------|-------------|------|---------------|--------------|------|
| 14MMC8IPS-S6 | 14mm | 1/2" BSPP-M | 50.0 | 25.0/ (1") | 25.0/ (1") | 11.7 |
| 8MMC4IPS-S6 | 8mm | 1/4" BSPP-M | 38.5 | 14.0/ (9/16") | 16.0/ (5/8") | 6.4 |

| | | | | | | | |
|---|--|--|--|-----------------------|--|--|--|
| PART NAME : MALE CONNECTOR - TUBE OD x BSPP Male Threading; Form A | | | | CUSTOMER NAME:- | | | |
| DWG NO : GA-MCIPS-S6 | | | | PROJECT NAME:- | | | |
| MATERIAL : SS 316 | | | | PO NO:- | | | |
| REV NO | | | | ENQ NO:-EN2223/0778 | | | |
| DESCRIPTION | | | | SHEET NO: 02 OF 06 | | | |
| SIGN | | | | DATE | | | |
| SIGN | | | | DATE | | | |
| DATE | | | | SO NO: - | | | |
| SIGN | | | | REV NO: 01 | | | |
| DATE | | | | SCALE: NTS | | | |

| | | |
|-------------|-----|------------|
| DRAWN BY | PG | 14-04-2023 |
| CHECKED BY | VM | 14-04-2023 |
| APPROVED BY | SRD | 14-04-2023 |


havi
 Fittings & Valves
 www.havi.in
 info@havi.in

NOTE:
 • # MARKED DIMENSION IS IN FINGER TIGHT POSITION.
 • NPT THREAD AS PER ANSI B 1.20.1.

PATH-J:2022-2023EXPORT/EN22300778